



MADE
IN THE **USA**

Product Description:

- Kit Includes:
 - RS001-0233 Respiratory Hygiene Station
 - Holds two boxes of face masks, one - two boxes of facial tissues or one box of gloves, and one hand sanitizer bottle or hand sanitizing wipe canister
 - BOWMAN® Signature Series - Made of Cherry Fauxwood ABS Plastic
 - KS010-0420 Floor Stand
 - Column with square base and mounting top plate for Respiratory Hygiene Station
 - Made of Black Powder-Coated Steel
 - MP-070 Sign Holder - Vertical
 - Holds 8.5" x 11" signage vertically (Cover Your Cough signage can be downloaded at www.BowmanDispensers.com)
 - Made of Clear PETG Plastic
- All hardware included for assembly as a free standing unit

Primary Area for Product Usage:

- Emergency and admitting departments, all ports of entry, outpatient radiology/MRI, outpatient labs and pharmacies

Dispenses:

Respiratory Hygiene Station holds most brand name boxes:

- Two boxes of face masks up to 7.75"W x 4.00"H x 4.75"D (19.7 cm x 10.2 cm x 12.1 cm)
- One large or two small boxes of tissue up to 5.50"W x 10.00"H x 4.75"D (14.0 cm x 25.4 cm x 12.1 cm)
- One bottle of antiseptic wipes or hand sanitizing gel up to 4.06"W x 4.06"D (10.5 cm x 10.5 cm)

Product Specifications (overall assembled dimensions):

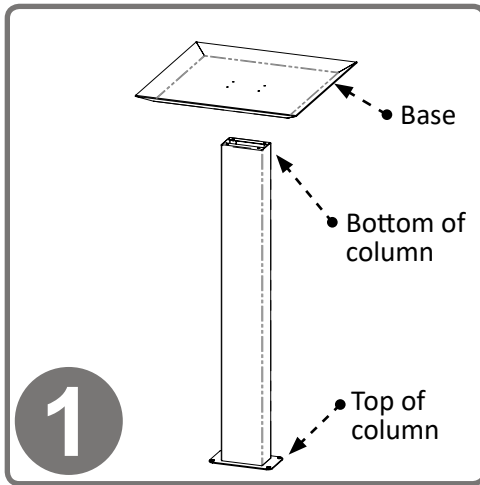
- 18.00"W x 58.36"H x 18.00"D (45.7 cm x 148.2 cm x 45.7 cm)
- 19.2 lbs (8.7 kg) - approximated

Package Specifications:

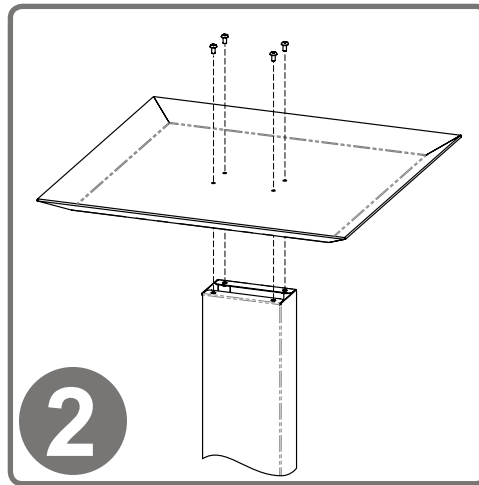
- Package Quantity: 1 complete kit per case
- 36"L x 20"W x 6"H (91.4 cm x 50.8 cm x 15.2 cm)
- 24.0 lbs (10.9 kg) - approximated



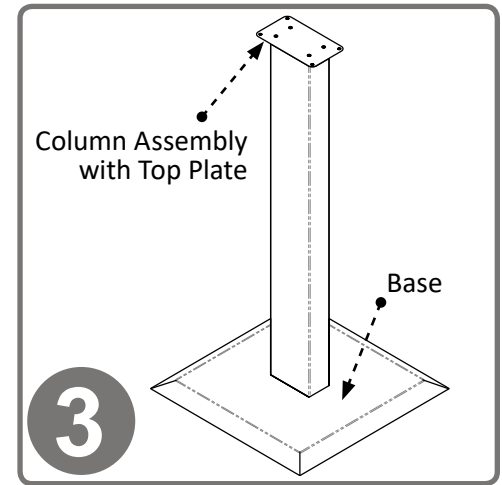
Sanitizer, face masks, and tissues not included



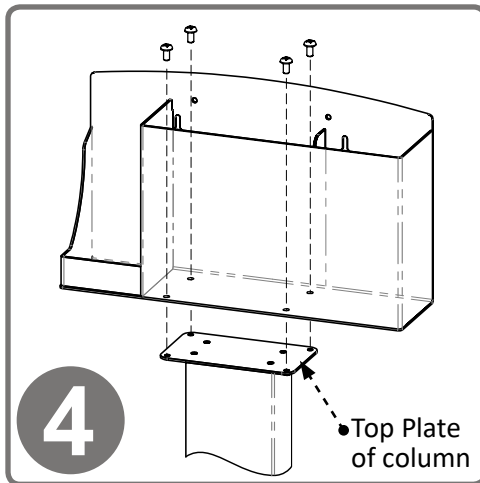
To secure base to column, turn column upside down (with top plate down) and place base inverted, as shown, on column.



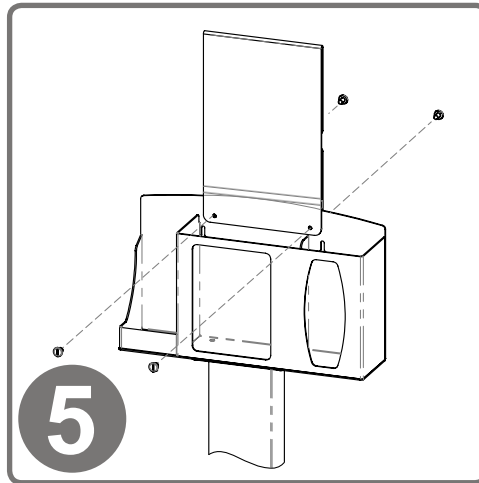
Use Phillips screwdriver to secure base to column with (4x) screws (10-32 x 5/16").



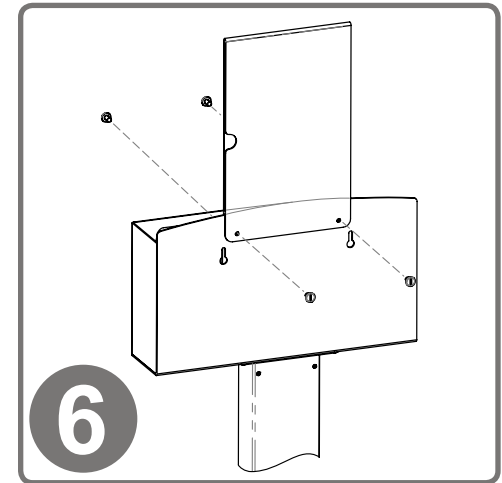
Turn stand right side up, so the base is on the floor.



Attach the RS001-0233 Respiratory Hygiene Station to the column using (4x) screws included with stand. Tighten.



To mount the MP-070 Sign Holder, sandwich the holder over the top edge of the dispenser, lining up holes. With a flathead screwdriver, attach using (2x) barrel screws included with sign holder.



Sign holder overlaps front and back of dispenser as shown.

Parts included:

- Column
- Base
- Hygiene Station
- Sign Holder
- Hardware
 - (8x) Screws: (4x) for stand, (4x) to attach hygiene station (Phillips type 10-32 x 5/16")
 - (2x) barrel screws for attaching sign holder

Tools Required:

- Phillips Screwdriver
- Flathead Screwdriver



RS001-0233

Fauxwood ABS Plastic

Designed for Long-Term, Heavy-Duty Applications

The combination of copolymers (Acrylonitrile, Butadiene, and Styrene) gives ABS an excellent combination of strength, rigidity, and toughness. The fauxwood finish is ARVINYL laminate created from a semi-rigid film.

ABS is chemical and stress-crack resistant. It is tough, dimensionally stable, and will hold up to long-term use. To ensure product longevity, fauxwood products should not be mounted in very hot or cold areas.

Our fauxwood material is engineered to have a natural grain appearance both in Cherry and Maple finishes. The two color choices provide a visually appealing, upscale option to any area.

KS010-0420

Powder-Coated Steel

Designed for Long-Term Use

Our steel dispensers and stands are coated with polyester powders which makes them highly resistant to corrosion.

Powder-coated steel is ideal for dispensers used in a healthcare or an industrial setting because it is impact resistant and is not effected by extremes in temperature.

Dispensers and stands made of powder-coated steel are both attractive and functional, providing years of service.

MP-070

PETG Plastic

Designed for Long-Term, Heavy-Duty Applications

Copolyester resin is designed for heavy-duty applications, and is used by BOWMAN® Dispensers. We never use acrylic in our products.

Copolyester (PETG) is typically 15-20 times tougher than general purpose acrylic. PETG is made to withstand handling and reduce losses due to breakage.

PETG resists a variety of chemicals and commonly used cleaning agents, such as PDI wipes. It is tough and durable (not brittle), providing years of trouble-free functionality and long life.

Clear optical characteristics mean the viewer can see the content, read text, and see true colors through the material. It complies with FDA regulations for food contact.

Care and Cleaning

BOWMAN® Signature Series products can be cleaned with standard hospital cleaning products. Petroleum-based oils, solvents, and paints should not be used.

Standard hospital cleaning supplies can be used.

For best results, clean by washing the surface with a diluted solution of a mild, non-abrasive detergent in cold or warm water and a non-abrasive cloth. Standard hospital cleaning supplies can be used.

Dry with a soft cloth. Do not use any solvent-based materials, abrasives (e.g. Scotch-brite, steel wool), or apply excessive force during cleaning.

Most cleaning chemicals do not weaken the surface or cause damage to the material. Suggested cleaning method is to use a soft cloth, warm water, and mild soap.