



MADE IN THE USA

Product Description:

- Kit Includes:
 - RS005-0512 Respiratory Hygiene Station - Locking
 - Holds two boxes of face masks, one or two boxes of facial tissues or one box of gloves, and one hand sanitizer dispenser
 - Made of Quartz Beige Powder-Coated Aluminum
 - MP-075 Sign Holder - Horizontal
 - Holds 11" x 8.5" signage horizontally (Cover Your Cough signage can be downloaded at www.BowmanDispensers.com)
 - Made of Clear PETG Plastic
- All hardware included for assembly as a free standing unit

Primary Area for Product Usage:

- Emergency and admitting departments, all ports of entry, outpatient radiology/MRI, outpatient labs and pharmacies

Dispenses:

Respiratory Hygiene Station holds most brand name boxes:

- Two boxes of face masks up to 7.75"W x 5.00"H x 4.75"D (19.7 cm x 12.7 cm x 12.1 cm)
- One large or two small boxes of tissues or one box of gloves up to 5.50"W x 10.00"H x 4.75"D (13.7 cm x 25.4 cm x 12.2 cm)
- One hand sanitizing gel or foam dispenser - mountable area 8.35"W x 14.75"H x 5.00"D (21.2 cm x 37.5 cm x 12.7 cm) [Note: Refer to automatic dispensing specifications on detection distance requirements.]

Product Specifications (overall assembled dimensions):

- 22.25"W x 21.92"H x 5.00"D (56.5 cm x 55.7 cm x 12.7 cm)
- 5.4 lbs (.4 kg) - approximated

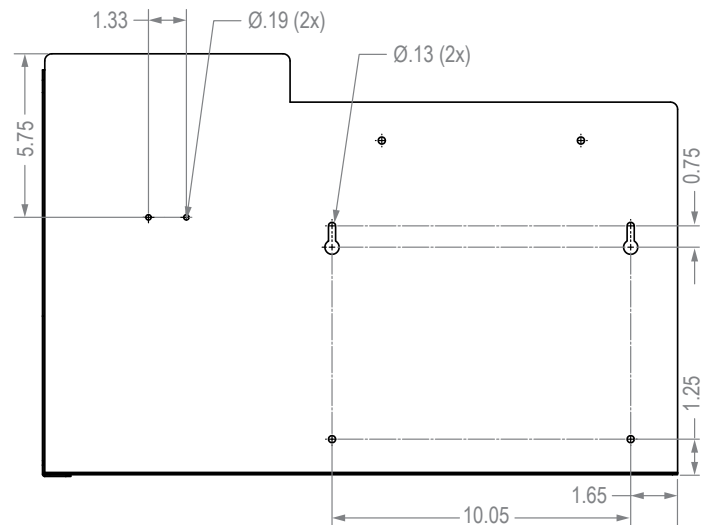
Package Specifications:

- Package Quantity: 1 complete kit per case
- 24"L x 16"W x 6"H (61.0 cm x 40.6 cm x 15.2 cm)
- 8.0 lbs (3.6 kg) - approximated



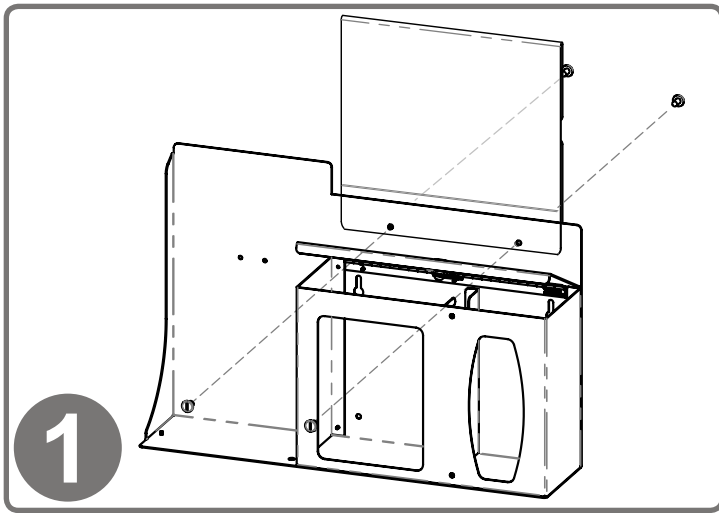
Sanitizer, face masks, and tissues not included

Mounting Specifications:

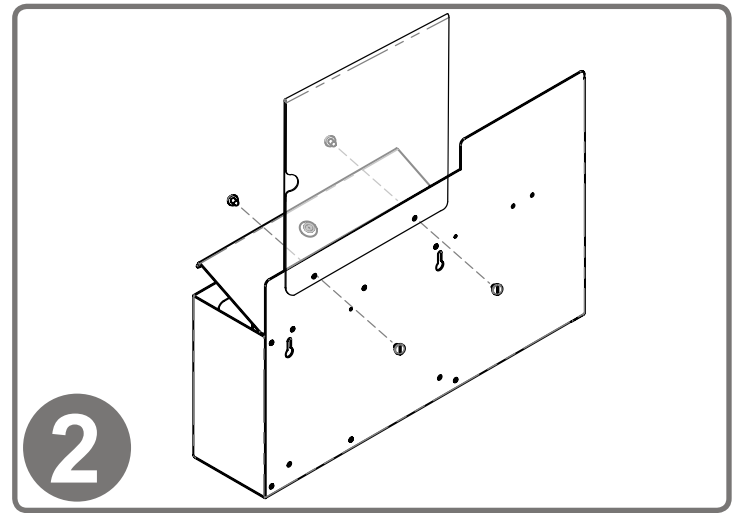


PRODUCT VIDEOS:

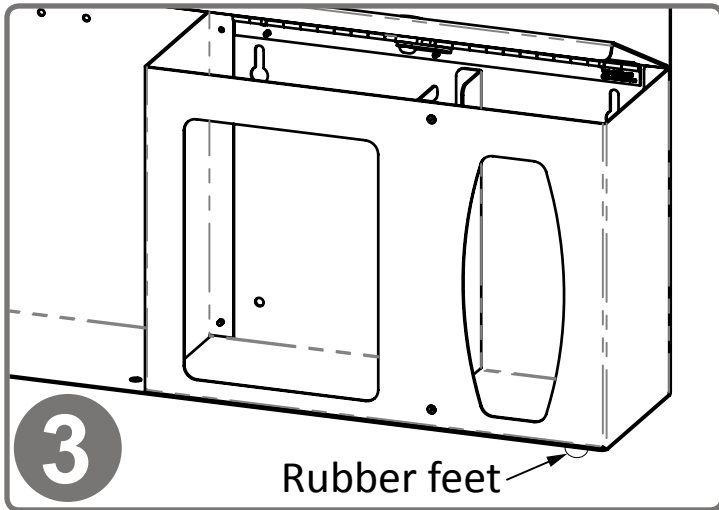
bowmandispensers.com/product-videos



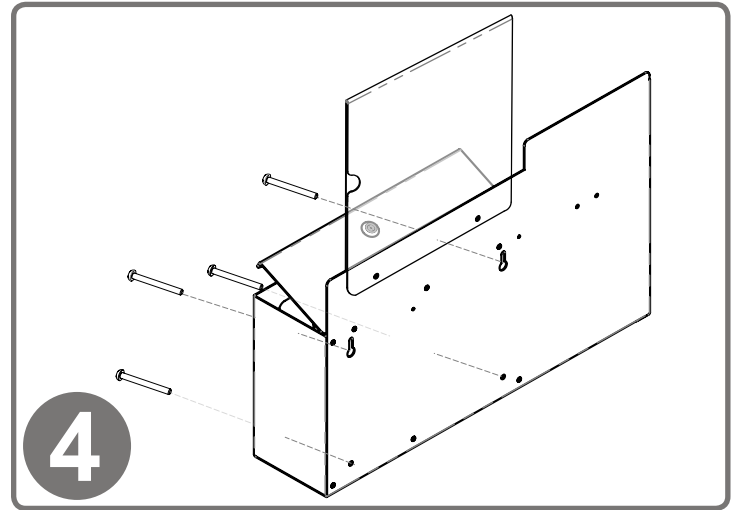
To mount the MP-075 Sign Holder, sandwich the holder over the top edge of the dispenser, lining up holes. Attach using (2x) barrel screws included with sign holder.



Sign holder overlaps front and back of dispenser as shown.



For placing on counter, attach (4x) self-adhesive rubber feet at each of the bottom corners (included).



Dispenser can also be mounted securely to a wall through keyholes and screw holes in back with screws approved and supplied by building maintenance. All four mounting holes provided must be used.

Parts included:

- Hygiene Station
- Sign Holder
- Hardware
 - (4x) rubber feet
 - (2x) barrel screws for attaching sign holder

Tools Required:

- Flathead screwdriver

**RS005-0512**

Powder-Coated Aluminum

MP-075

PETG Plastic

Material Characteristics**Designed for Long-Term Use**

Our powder-coated aluminum dispensers resist corrosion, chipping, and flaking. It is lightweight, yet high in strength. This material will provide long-lasting products that hold up well, even in tough environments.

Powder-coated aluminum is ideal for dispensers used in a healthcare or industrial settings. It is impact resistant and is not affected by extremes in temperature.

Dispensers made of powder-coated aluminum are clean, bright, and attractive, creating a professional appearance.

Designed for Long-Term, Heavy-Duty Applications

Copolyester resin is designed for heavy-duty applications, and is used by BOWMAN® Dispensers. We never use acrylic in our products.

Copolyester (PETG) is typically 15-20 times tougher than general purpose acrylic. PETG is made to withstand handling and reduce losses due to breakage.

PETG resists a variety of chemicals and commonly used cleaning agents, such as PDI wipes. It is tough and durable (not brittle), providing years of trouble-free functionality and long life.

Clear optical characteristics mean the viewer can see the content, read text, and see true colors through the material. It complies with FDA regulations for food contact.

Care and Cleaning

For best results, clean by washing the surface with a diluted solution of a mild, non-abrasive detergent in cold or warm water and a non-abrasive cloth. Standard hospital cleaning supplies can be used.

Dry with a soft cloth. Do not use any solvent-based materials, abrasives (e.g. Scotch-brite, steel wool), or apply excessive force during cleaning.

Most cleaning chemicals do not weaken the surface or cause damage to the material. Suggested cleaning method is to use a soft cloth, warm water, and mild soap.