



MADE
IN THE USA

Product Description:

- Kit Includes:
 - PS016-0212 Protection System
 - Holds a variety of gowns, three boxes of gloves, one box of earloop-style face masks, one box of shield-style face masks, and built-in storage area (for a variety of medical supplies, fourth box of gloves, or one box of N-95 face masks)
 - Made of Quartz Beige ABS Plastic
 - MP-047 Sign Holder - Clip-On
 - Holds 8.5" x 11" signage vertically (Isolation Protection signage can be downloaded at www.BowmanDispensers.com)
 - Made of Clear PETG Plastic
 - MB-600 Hanger - Door - Standard
 - Hooks over the top of a door with a thickness no greater than 2.44"
 - Made of Quartz Beige Powder-Coated Steel

Primary Area for Product Usage:

- All patient care areas requiring personal protective equipment and isolation supplies, including oncology clinics, dialysis centers and clinic exam areas

Dispenses:

Protection System holds most brand name boxes:

- Top left section: Gowns folded up to 14.9"W x 4.5"D
- Top right section: One box of shield-style face masks up to 8.1"W x 9.9"H x 4.5"D
- Middle right section: One box of earloop-style face masks up to 8.0"W x 5.3"H x 4.5"D
- Four bottom sections: Four glove boxes up to 11.5"W x 5.5"H x 4.5"D, or three glove boxes and miscellaneous medical supplies in bottom right

Product Specifications (overall assembled dimensions):

- 23.38"W x 36.51"H x 5.40"D (59.4 cm x 92.7 cm x 13.7 cm)
- 9.30 lbs (4.2 kg) - approximated

Package Specifications:

- Package Quantity: 1 complete kit per case
- 32"L x 26"W x 6"H (81.3 cm x 66.0 cm x 15.2 cm)
- 12 lbs (5.3 kg) - approximated



PRODUCT VIDEOS:

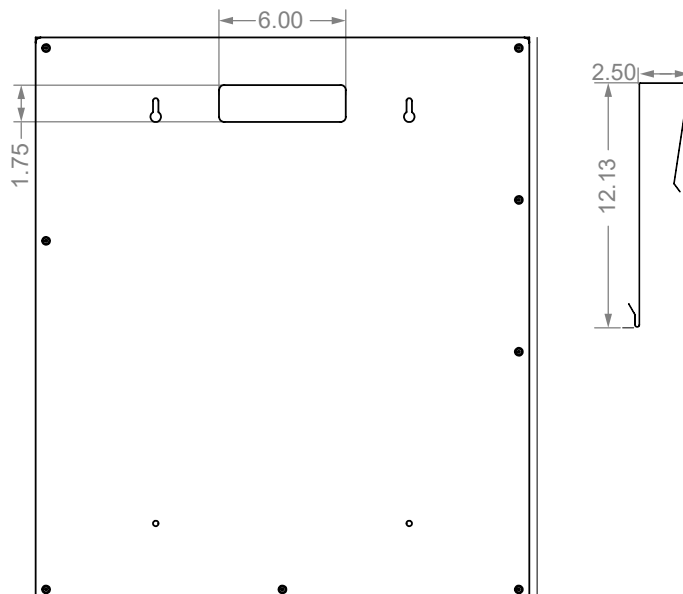
bowmandispensers.com/product-videos



Consumables not included

Mounting Specifications:

- Left: Protection System, Right: Door Hanger



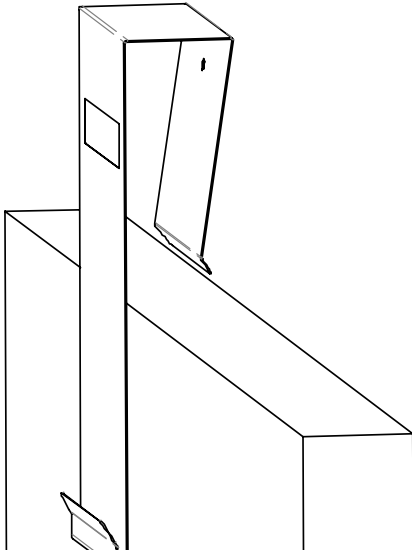


Installation

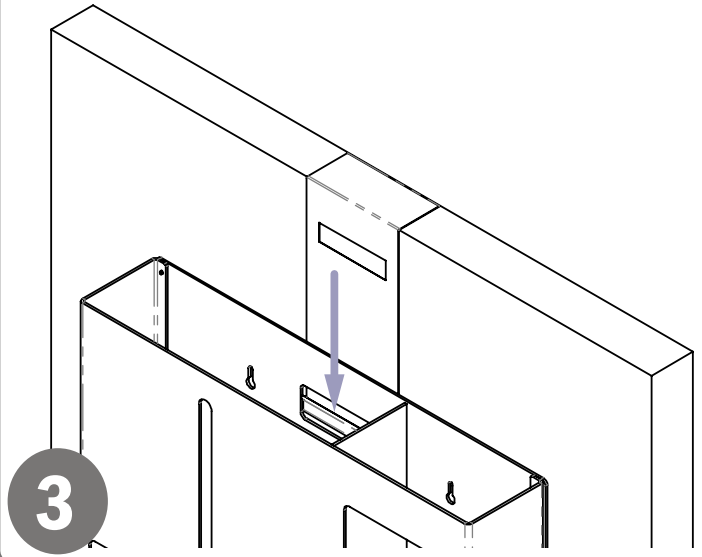
Always mount dispensers securely *prior* to loading with product.

• Proper Hanging Procedure:

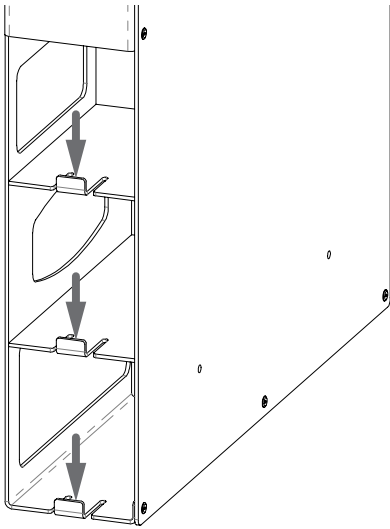
- 1) Attach hanger securely - back of hanger must lay flush against surface.



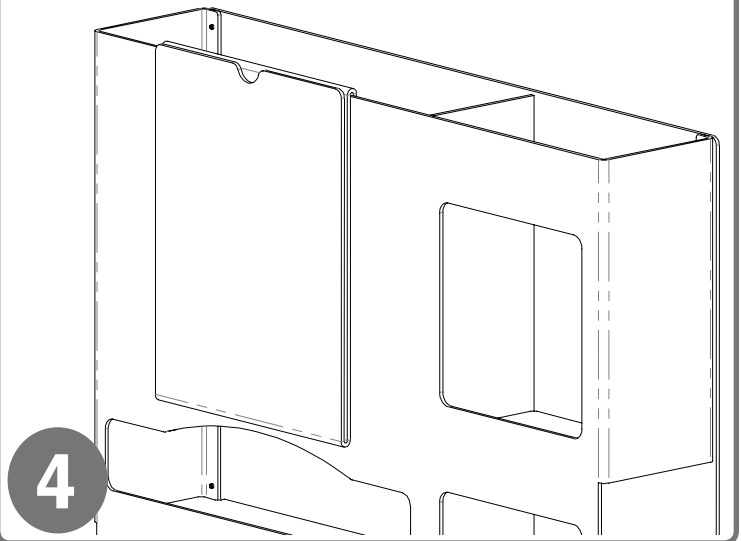
- 1) Hang dispenser on hanger.
- 2) Load product in dispenser.
- 3) To remove, reverse order of steps.



- The flexible tabs on the side are designed to hold product securely in the dispenser.
- To add or remove product, press down on the tab and pull box out.



- Clip the Sign Holder over the top of the gown section and insert desired signage.
- Free isolation signs can be downloaded at www.BowmanDispensers.com.



Parts included:

- Protection System
- Door Hanger
- Sign Holder

Tools Required:

- None



PS016-0212

ABS Plastic

MB-600

Powder-Coated Steel

MP-047

PETG Plastic

Material Characteristics

Designed for Long-Term, Heavy-Duty Applications

The combination of copolymers (Acrylonitrile, Butadiene, and Styrene) gives ABS an excellent combination of strength, rigidity, and toughness.

ABS is chemical and stress-crack resistant. It is tough, dimensionally stable, and will hold up to long-term use. It possesses high strength and performance characteristics at a reasonable cost.

Designed for Long-Term Use

Our steel dispensers and stands are coated with polyester powders which makes them highly resistant to corrosion.

Powder-coated steel is ideal for dispensers used in a healthcare or an industrial setting because it is impact resistant and is not effected by extremes in temperature.

Dispensers and stands made of powder-coated steel are both attractive and functional, providing years of service.

Designed for Long-Term, Heavy-Duty Applications

Copolyester resin is designed for heavy-duty applications, and is used by BOWMAN® Dispensers. We never use acrylic in our products.

Copolyester (PETG) is typically 15-20 times tougher than general purpose acrylic. PETG is made to withstand handling and reduce losses due to breakage.

PETG resists a variety of chemicals and commonly used cleaning agents, such as PDI wipes. It is tough and durable (not brittle), providing years of trouble-free functionality and long life.

Clear optical characteristics mean the viewer can see the content, read text, and see true colors through the material. It complies with FDA regulations for food contact.

Care and Cleaning

Use mild soap and water to clean. Petroleum-based oils, solvents, and paints should not be used.

Standard hospital cleaning supplies can be used.

For best results, clean by washing the surface with a diluted solution of a mild, non-abrasive detergent in cold or warm water and a non-abrasive cloth. Standard hospital cleaning supplies can be used.

Dry with a soft cloth. Do not use any solvent-based materials, abrasives (e.g. Scotch-brite, steel wool), or apply excessive force during cleaning.

Most cleaning chemicals do not weaken the surface or cause damage to the material. Suggested cleaning method is to use a soft cloth, warm water, and mild soap.