



Product Description:

- Bag Dispenser - Flat Pack Biohazard Bags
- Holds two boxes of flat pack bio bags (up to 9" long)
- Two-way keyholes for vertical or horizontal wall mounting
- Made of clear PETG plastic

Primary Area for Product Usage:

- Any location needing biohazard bags: laboratory, O.R., clinical areas, dental, veterinary

Dispenses:

- Holds two boxes of flat pack biohazard bags up to 6"W x 9"H x 3"D (15.2 cm x 22.9 cm x 7.6 cm)

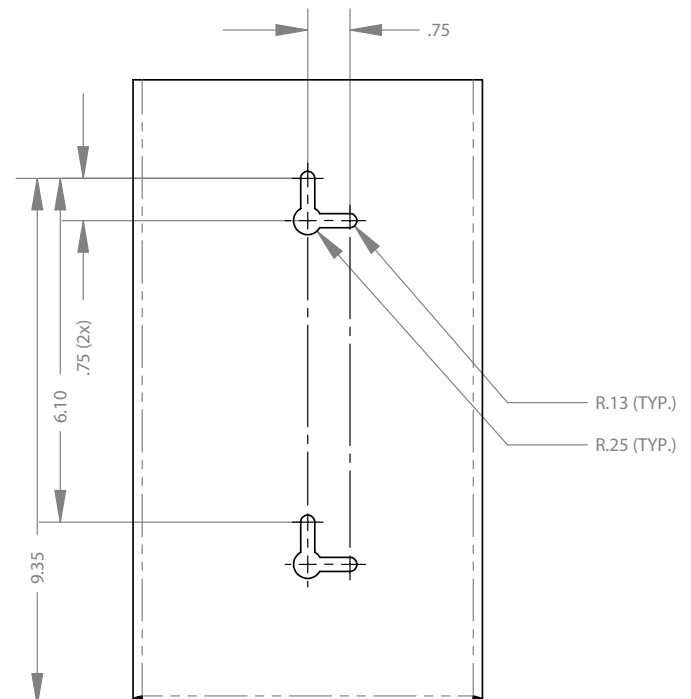
Package Specifications:

- Package Quantity: 6 per case
- 16"W x 12"H x 12"D (40.6 cm x 30.5 cm x 30.5 cm)
- 6.0 lbs (2.7 kg) - approximated

Product Specifications (overall external dimensions):

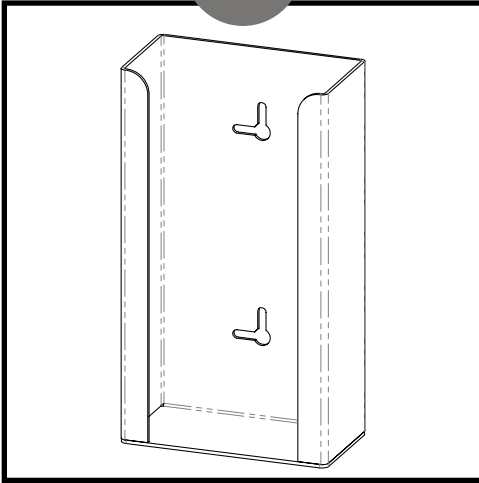
- 6.2"W x 11.1"H x 3.2"D (15.7 cm x 28.2 cm x 8.1 cm)
- 0.8 lbs (0.4 kg) - approximated

Mounting Specifications:

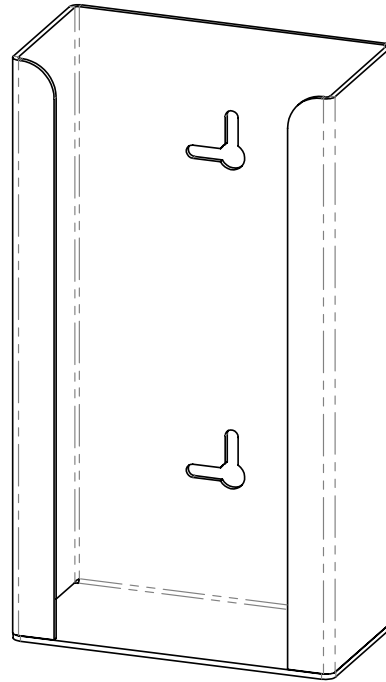




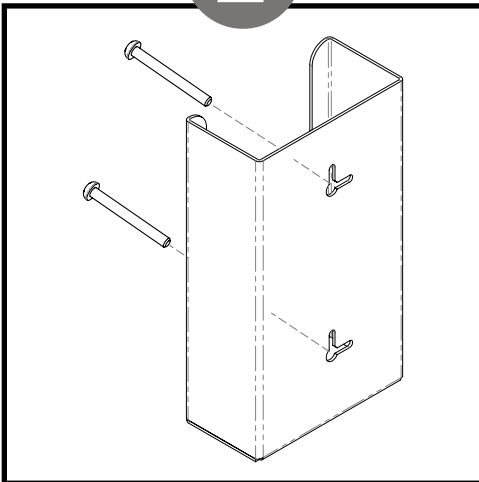
1



Open front and top design provides easy access to product making it suitable for a wide variety of precut openings.



2



Dispenser should be mounted securely to a wall through keyholes in back with screws approved and provided by building maintenance.

Parts included:

- Dispenser

Tools required:

- No tools are needed to assemble the dispenser



Advantage

Designed for Long-Term Heavy-Duty Applications

Copolyester resin is designed for heavy-duty applications, and is used by Bowman® Dispensers exclusively.

Major Benefits

Toughness

Copolyester (PETG) is typically 15-20 times tougher than general purpose acrylic. PETG is made to withstand handling and reduce losses due to breakage.

Chemical Resistance

PETG resists a variety of chemicals and commonly used cleaning agents. Suggested cleaning with a soft cloth, warm water, and mild soap.

Impact Strength

PETG is tough and durable (not brittle), providing years of trouble-free functionality and long life.

Clarity and Gloss

PETG looks good and makes an attractive display. Clear optical characteristics mean the viewer can see the content, read text, and see true colors through the material. Complies with FDA regulations for food contact.

Easy to Clean

Most cleaning chemicals do not weaken the surface or cause damage to the material.

