



MADE IN THE USA

Product Description:

- Bulk Dispenser - Tall Double Bin
- Holds a variety of protective apparel, including gloves, bouffant caps, shoe covers, etc., or other miscellaneous items in a bulk compartment
- Top loading, front dispensing
- Hinged lid
- Keyholes for wall mounting
- Made of Stainless Steel

Primary Area for Product Usage:

- O.R. dressing areas, outside O.R. rooms, emergency rooms, operating rooms, labor and delivery, and burn units
- Surgical areas, interventional radiology, areas with a scrub sink
- Clean rooms, food service areas, or anywhere bulk items are needed

Dispenses:

- Fits miscellaneous bulk items up to 12.00"W x 15.80"H x 5.43"D (30.5 cm x 40.1 cm x 13.8 cm)

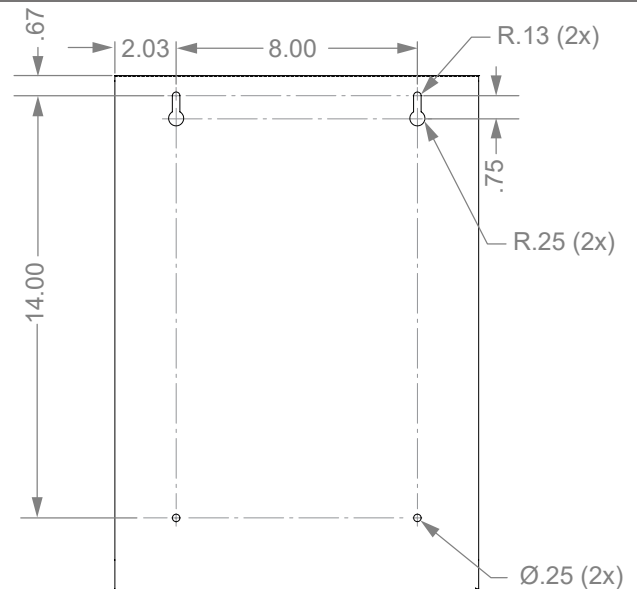
Package Specifications:

- Package Quantity: 1 per case
- 24"L x 16"W x 6"H (61.0 cm x 40.6 cm x 15.2 cm)
- 10.0 lbs (4.5 kg) - approximated

Product Specifications (overall external dimensions):

- 12.21"W x 17.07"H x 5.76"D (31.0 cm x 43.4 cm x 14.6 cm)
- 7.5 lbs (3.4 kg) - approximated

Mounting Specifications:



PRODUCT VIDEOS:
bowmandispensers.com/product-videos

Alternative Products (each sold separately):

- BK002-0300, Bulk Dispenser - Short Single Bin (not pictured)
- BK312-0300, Bulk Dispenser - Tall Double Bin
- BK313-0300, Bulk Dispenser - Tall Triple Bin
- BK314-0300, Bulk Dispenser - Tall Quad Bin (not pictured)



BK312-0300



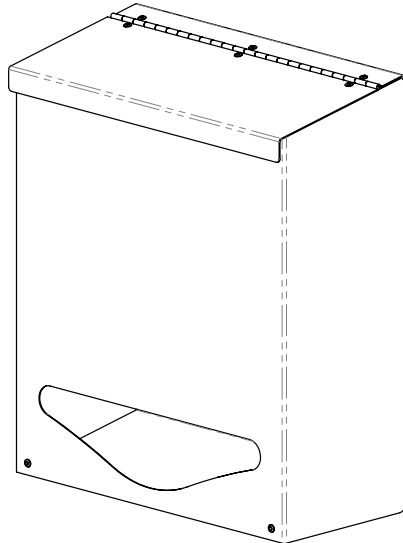
BK313-0300



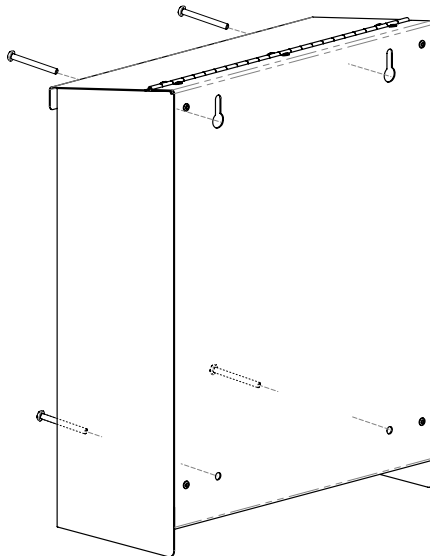
Installation

Always mount dispensers securely *prior* to loading with product.

- Product is loaded from the top, then can be dispensed through the top or bottom front.



- Mount securely to a wall with screws approved and supplied by building maintenance.



Parts included:

- Dispenser

Tools Required:

- No tools required to assemble dispenser

Care and Construction

Stainless Steel

Material Characteristics

Designed for Long-Term Heavy-Duty Applications

Stainless steel is used overwhelmingly for its corrosion and oxidation resistance characteristics. Along with being sturdy, stainless steel is also fire and heat resistant.

The work-hardening properties of stainless steel gives the material a great strength-to-weight advantage over other materials. It also provides impact resistance and high toughness in extreme temperatures.

Stainless steel has a bright, stain resistant surface and pleasing aesthetic appearance.

Care and Cleaning

Stainless steel resists a variety of common chemicals and cleaning agents. Clean using warm water, a gentle detergent, and soft cloth.

Standard hospital cleaning supplies are approved for use on our stainless steel products. Dry thoroughly to avoid spotting. Do not use steel wool.