



MADE
IN THE USA

Alternative Products (each sold separately):

- BK212-0111, Bulk Dispenser - Tall Double Bin
- BK213-0111, Bulk Dispenser - Tall Triple Bin



BK212-0111



BK213-0111

Product Description:

- Bulk Dispenser - Tall Single Bin
- Holds a variety of protective apparel or other items in a single compartment
- Top loading and dispensing
- Hinged lid with three-sided flange reduces dust
- Keyholes for wall mounting
- Made of Clear PETG Plastic

Primary Area for Product Usage:

- O.R. dressing areas, outside O.R. rooms, emergency rooms, operating rooms, labor and delivery, and burn units
- Surgical areas, interventional radiology, areas with a scrub sink
- Clean rooms, kitchens

Dispenses:

- Fits any bulk items in an area up to 12.00"W x 16.00"H x 5.38"D (30.5 cm x 40.6 cm x 13.7 cm)

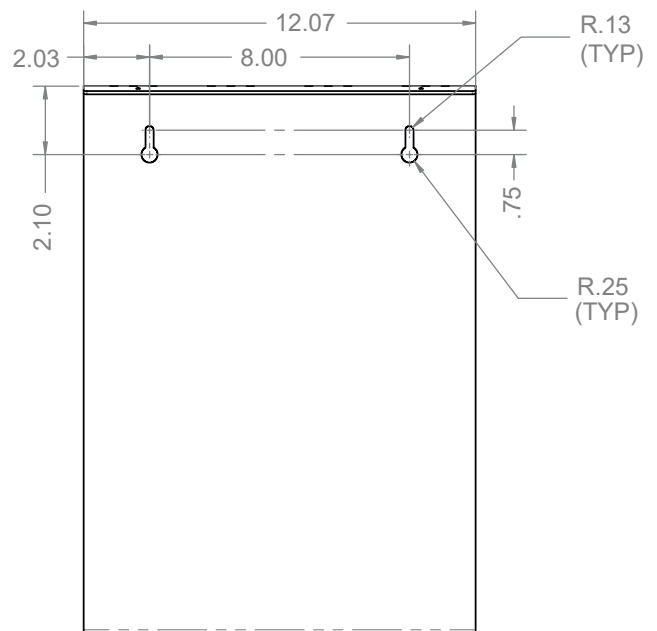
Package Specifications:

- Package Quantity: 1 per case
- 24"L x 16"W x 6"H (61.0 cm x 40.6 cm x 15.2 cm)
- 7.0 lbs (3.2 kg) - approximated

Product Specifications (overall external dimensions):

- 12.27"W x 17.00"H x 5.60"D (31.2 cm x 43.2 cm x 14.2 cm)
- 3.2 lbs (1.5 kg) - approximated

Mounting Specifications:

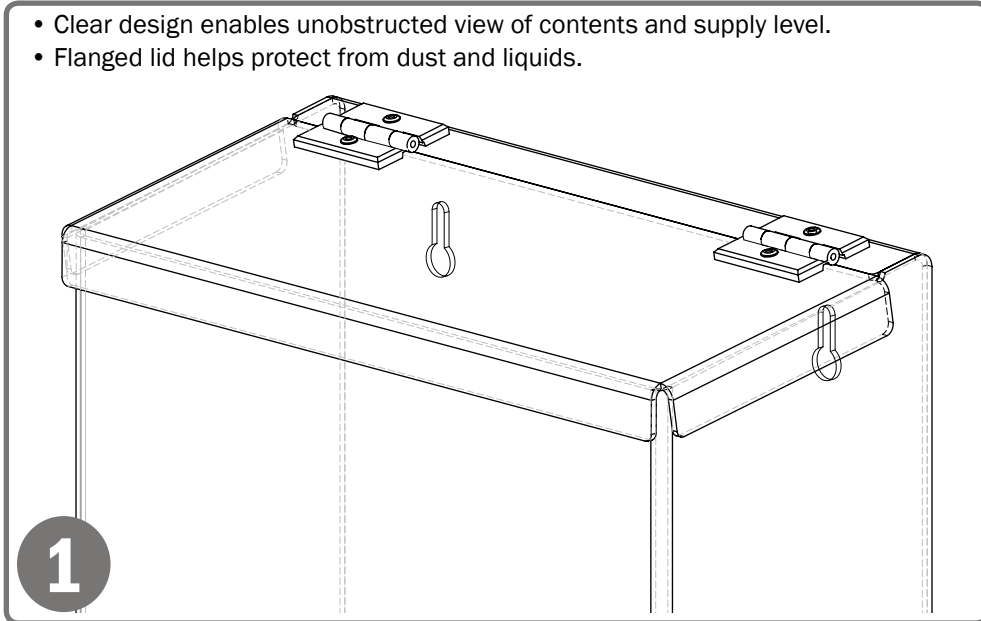




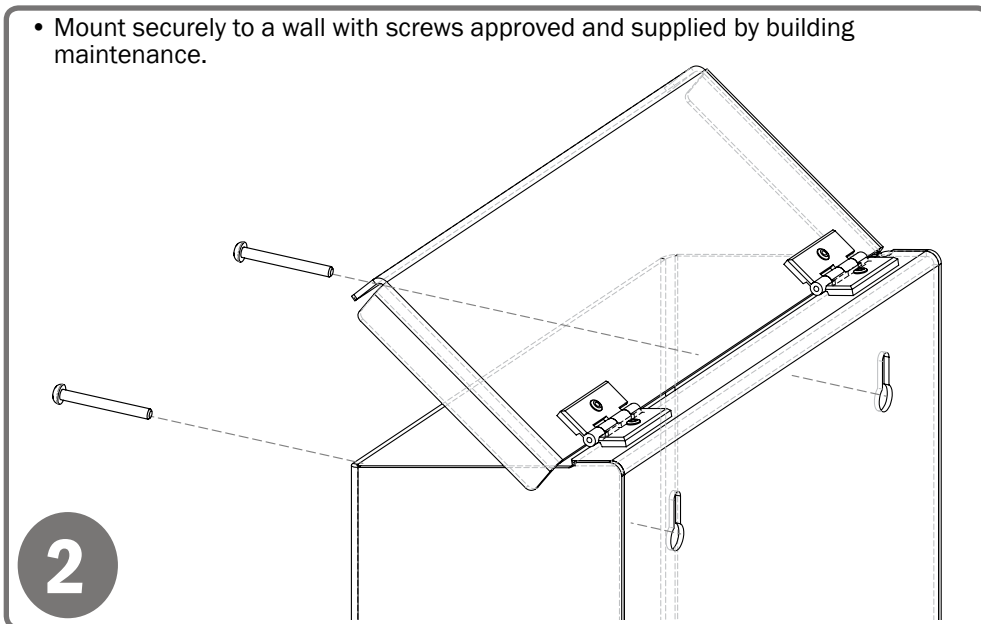
Installation

Always mount dispensers securely *prior* to loading with product.

- Clear design enables unobstructed view of contents and supply level.
- Flanged lid helps protect from dust and liquids.



- Mount securely to a wall with screws approved and supplied by building maintenance.



Parts included:

- Dispenser

Tools Required:

- No tools required to assemble dispenser

Care and Construction

PETG Plastic

Material Characteristics

Designed for Long-Term Heavy-Duty Applications

Copolyester resin is designed for heavy-duty applications, and is used by BOWMAN® Dispensers. We never use acrylic in our products.

Copolyester (PETG) is typically 15-20 times tougher than general purpose acrylic. PETG is made to withstand handling and reduce losses due to breakage.

PETG resists a variety of chemicals and commonly used cleaning agents, such as PDI wipes. It is tough and durable (not brittle), providing years of trouble-free functionality and long life.

Clear optical characteristics mean the viewer can see the content, read text, and see true colors through the material. It complies with FDA regulations for food contact.

Care and Cleaning

Most cleaning chemicals do not weaken the surface or cause damage to the material. Suggested cleaning method is to use a soft cloth, warm water, and mild soap.