



### Product Description:

- Scrub Brush Dispenser
- Keyholes for wall mounting
- Made of white ABS plastic

### Primary Area for Product Usage:

- Used in surgical/procedure areas where scrub brushes are utilized

### Dispenses:

- Holds most brand name scrub brush boxes up to 4.75"W x 20.0"H x 5.0"D

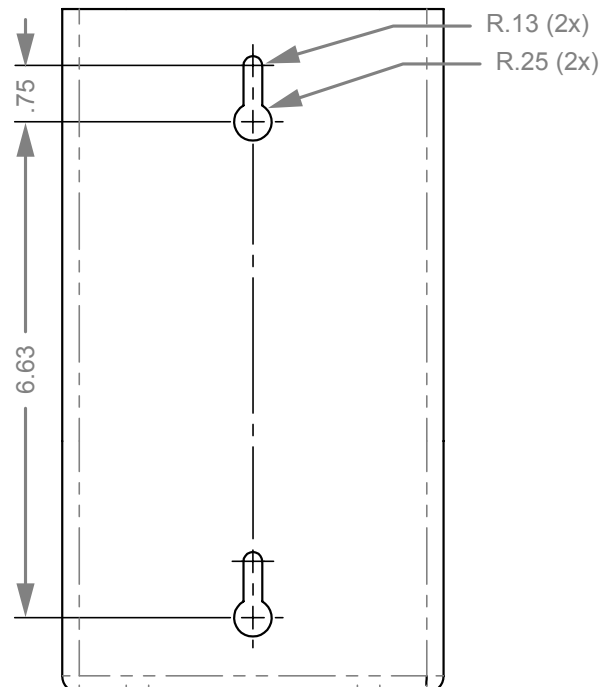
### Package Specifications:

- Package Quantity: 6 per case
- 16"L x 12"W x 12"H (40.6 cm x 30.5 cm x 30.5 cm)
- 5.0 lbs (2.3 kg) - approximated

### Product Specifications (overall external dimensions):

- 5.08"W x 9.10"H x 5.33"D (12.9 cm x 23.1 cm x 13.5 cm)
- 0.34 lbs (0.2 kg) - approximated

### Mounting Specifications:





## Advantage

### Designed for Long-Term Heavy-Duty Applications

The combination of copolymers (Acrylonitrile, Butadiene, and Styrene) gives ABS an excellent combination of strength, rigidity, and toughness.

## Major Benefits

### *Durable*

ABS is chemical and stress-crack resistant. It is tough, dimensionally stable, and will hold up to long-term use.

### *Cleaning*

Use mild soap and water to clean. Petroleum-based oils, solvents, and paints should not be used.

### *Strength*

ABS plastic possesses high strength and performance characteristics at a reasonable cost. These qualities make it perfect for a wide variety of applications, including medical and laboratory equipment.

### *Appearance*

The white, lightly textured finish has a clean, attractive look.

