



Product Description: Surgical Face Mask Dispenser

- Holds up to six boxes of face masks
- Hinged lid
- Keyholes for wall mounting or can be placed on countertop
- Made of white ABS plastic

Primary Area for Product Usage:

- Surgical areas, interventional radiology, areas with a scrub sink

Dispenses:

- Fits most standard surgical earloop/tie face masks and face shield boxes
- Left section: Boxes no larger than 9"W x 10"H x 9"D (22.9 cm x 25.4 cm x 22.9 cm)
- Middle and right sections: Boxes no larger than 8.25"W x 10"H x 9"D (21.0 cm x 25.4 cm x 22.9 cm)

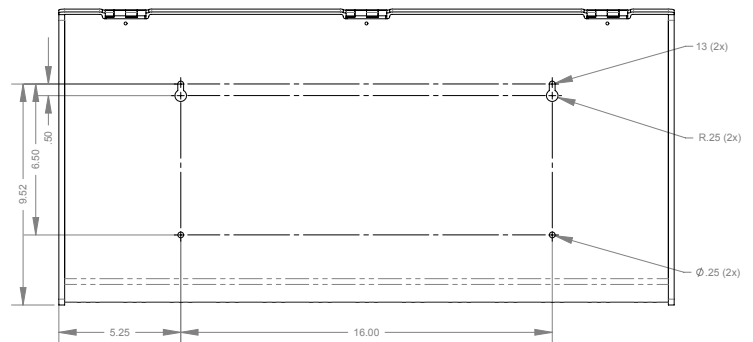
Package Specifications:

- 31"L x 15"W x 15"H (78.7 cm x 38.1 cm x 38.1 cm)
- 12.0 lbs (5.4 kg) - approximated

Product Specifications (overall external dimensions):

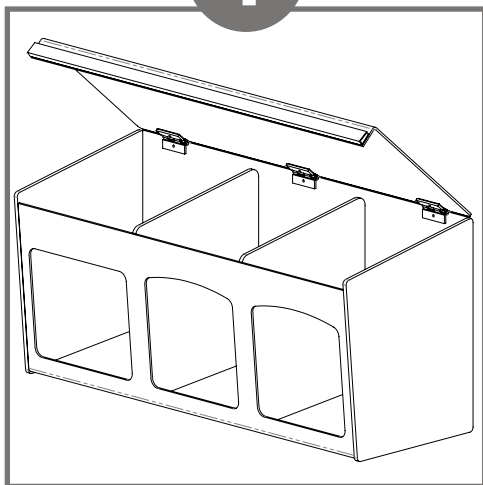
- 26.50"W x 12.75"H x 10.62"D (67.3 cm x 32.4 cm x 27.0 cm)
- 8.85 lbs (4.0 kg) - approximated

Mounting Specifications:

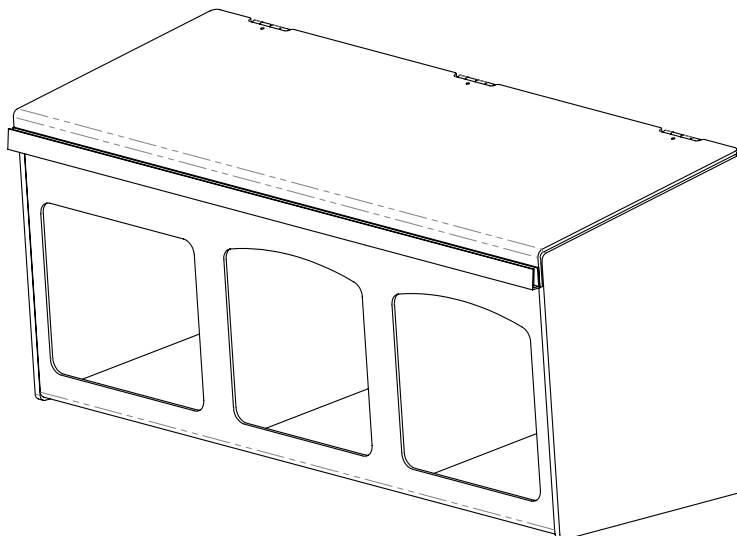




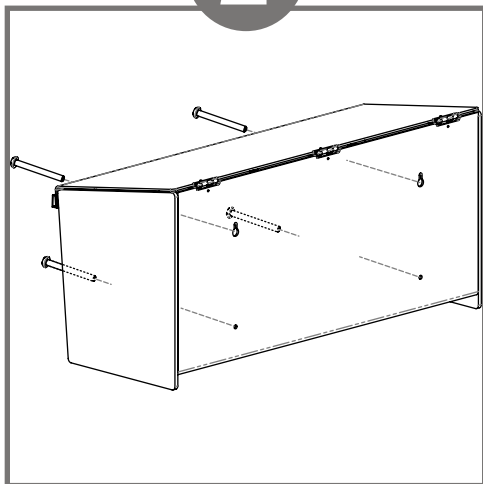
1



Hinged lid makes filling the compartments quick and easy.

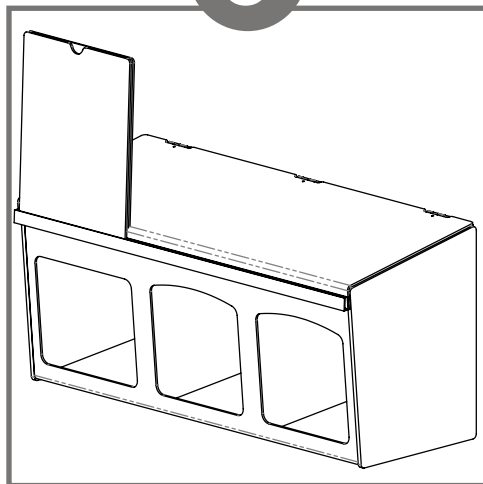


2



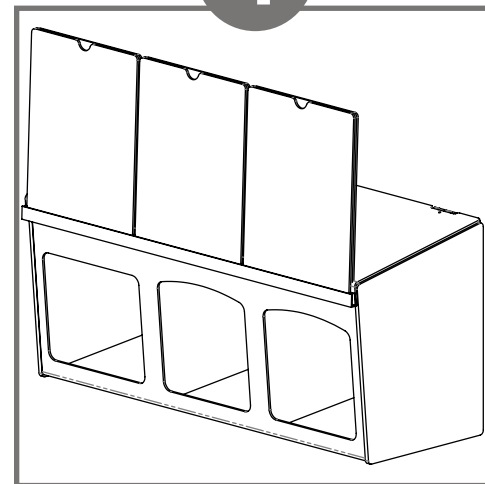
Dispenser should be mounted securely to a wall through keyholes and through-holes in back with screws approved and provided by building maintenance.

3



Optional sign holders, MP-035, are attached by sliding into groove on front edge of dispenser lid.

4



Slide up to two additional sign holders into groove, moving each until it is snug against the previous holder.

Parts included:

- Dispenser

Tools required:

- No tools are required for assembly of the dispenser



Advantage

Designed for Long-Term Heavy-Duty Applications

The combination of copolymers (Acrylonitrile, Butadiene, and Styrene) gives ABS an excellent combination of strength, rigidity, and toughness.

Major Benefits

Durable

ABS has good chemical and stress-cracking resistance. It is tough, dimensionally stable, and will hold up to long-term use.

Cleaning

Use a mild cleaner or soap and water to clean. Petroleum-based oils, solvents, and paints should not be used.

Strength

ABS plastic possesses good strength and performance characteristics at a reasonable cost. These qualities make it perfect for a wide variety of applications, including medical and laboratory equipment.

Appearance

The white, lightly textured finish has a clean, attractive look.

