



Product Description: Surgical Face Mask Dispenser

- Holds up to five boxes of face masks: one box of earloop style face masks, one box of face shields or tie style face masks, and two boxes of N95 flat fold cone masks
- Keyholes for wall mounting or can be mounted on a Bowman® door hanger
- Made of White ABS Plastic

Primary Area for Product Usage:

- Surgical areas, interventional radiology, areas with a scrub sink

Dispenses:

- Fits most standard surgical earloop/tie face masks and face shield boxes; also fits most brands of boxed isolation gowns
- Top section: ear loop face mask boxes no larger than 10.50"W x 4.50"H x 4.75"D (26.7 cm x 11.4 cm x 12.1 cm)
- Large section: boxes no larger than 8.25"W x 10.00"H x 9.00"D (21.0 cm x 25.4 cm x 22.9 cm)
- Bottom two sections: N95 flat fold cone mask boxes no larger than 10.50"W x 4.95"H x 4.75"D (26.7 cm x 12.6 cm x 12.1 cm)

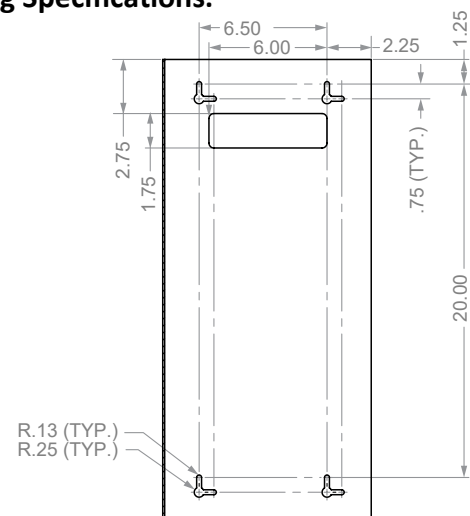
Package Specifications:

- Package Quantity: 1 per case
- 24"L x 16"W x 6"H (61.0 cm x 40.6 cm x 15.2 cm)
- 5.0 lbs (2.3 kg) - approximated

Product Specifications (overall external dimensions):

- 10.60"W x 23.50"H x 4.95"D (26.9 cm x 59.7 cm x 12.6 cm)
- 2.7 lbs (1.2 kg) - approximated

Mounting Specifications:





Advantage

Designed for Long-Term Heavy-Duty Applications

The combination of copolymers (Acrylonitrile, Butadiene, and Styrene) gives ABS an excellent combination of strength, rigidity, and toughness.

Major Benefits

Durable

ABS is chemical and stress-crack resistant. It is tough, dimensionally stable, and will hold up to long-term use.

Cleaning

Use mild soap and water to clean. Petroleum-based oils, solvents, and paints should not be used.

Strength

ABS plastic possesses high strength and performance characteristics at a reasonable cost. These qualities make it perfect for a wide variety of applications, including medical and laboratory equipment.

Appearance

The quartz, lightly textured finish has a clean, attractive look.





Product Description: Surgical Face Mask Dispenser

- Holds one box of earloop face masks, one box of gowns, and two boxes of gloves
- Keyholes for wall mounting or can be mounted on Bowman® door hanger
- Made of White ABS Plastic

Primary Area for Product Usage:

- All patient care areas requiring personal protective equipment and isolation supplies, including oncology clinics, dialysis centers and clinic exam areas

Dispenses:

- Fits most standard surgical earloop/tie face masks, most brands of boxed isolation gowns, and most standard glove boxes
- Top section: ear loop face mask boxes no larger than 10.50"W x 4.50"H x 4.75"D (26.7 cm x 11.4 cm x 12.1 cm)
- Large section: gown boxes no larger than 8.25"W x 10.00"H x 9.00"D (21.0 cm x 25.4 cm x 22.9 cm)
- Bottom two sections: glove boxes no larger than 10.50"W x 4.95"H x 4.75"D (26.7 cm x 12.6 cm x 12.1 cm)

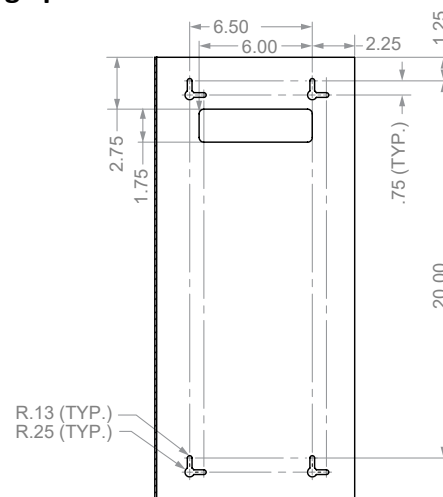
Package Specifications:

- Package Quantity: 1 per case
- 24"L x 16"W x 6"H (61.0 cm x 40.6 cm x 15.2 cm)
- 5.0 lbs (2.3 kg) - approximated

Product Specifications (overall external dimensions):

- 10.60"W x 23.50"H x 4.95"D (26.9 cm x 59.7 cm x 12.6 cm)
- 2.7 lbs (1.2 kg) - approximated

Mounting Specifications:





Advantage

Designed for Long-Term Heavy-Duty Applications

The combination of copolymers (Acrylonitrile, Butadiene, and Styrene) gives ABS an excellent combination of strength, rigidity, and toughness.

Major Benefits

Durable

ABS is chemical and stress-crack resistant. It is tough, dimensionally stable, and will hold up to long-term use.

Cleaning

Use mild soap and water to clean. Petroleum-based oils, solvents, and paints should not be used.

Strength

ABS plastic possesses high strength and performance characteristics at a reasonable cost. These qualities make it perfect for a wide variety of applications, including medical and laboratory equipment.

Appearance

The quartz, lightly textured finish has a clean, attractive look.

