

### Product Description: Surgical Face Mask Dispenser

- Holds up to six boxes of face masks with dividers.
- Sign holders (MP-035, three included) attach to the top of unit.
- Hinged lid.
- Displays on countertop or has keyholes for wall mounting.
- Made of white ABS plastic and clear PETG plastic.

### Primary Area for Product Usage:

- Surgical areas, interventional radiology, areas with a scrub sink.

### Dispenses (fits most brand name boxes):

- Most standard surgical earloop/tie face masks and face shield boxes
- Section 1: Boxes no larger than 9"W x 10"H x 9"D (22.9 cm x 25.4 cm x 22.9 cm)
- Sections 2 & 3: Boxes no larger than 8.25"W x 10"H x 9"D (21.0 cm x 25.4 cm x 22.9 cm)

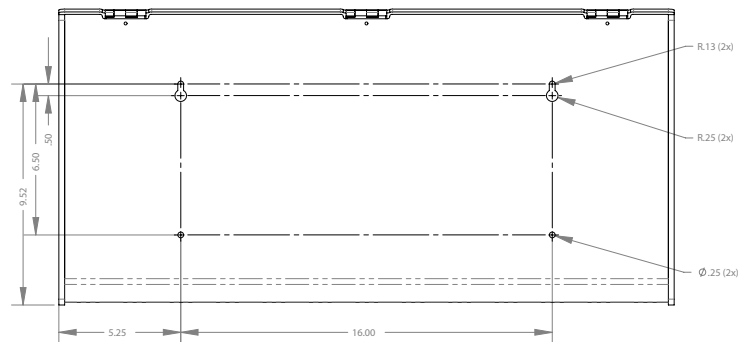
### Package Specifications:

- 31.0"W x 15.0"H x 15.0"D (78.7 cm x 38.1 cm x 38.1 cm)
- 12.0 lbs (5.4 kg) - approximated

### Product Specifications (overall external dimensions):

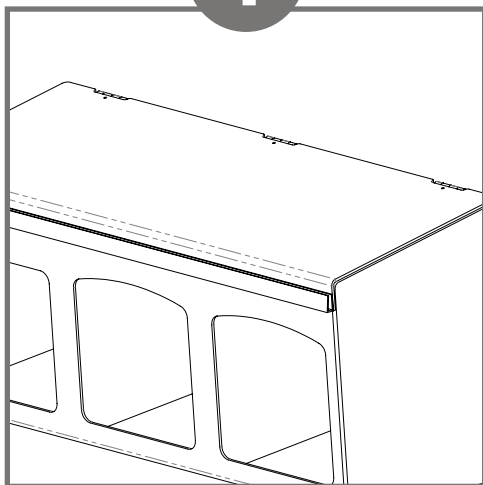
- 26.50"W x 12.75"H x 10.62"D (67.3 cm x 32.4 cm x 27.0 cm)
- 8.85 lbs (4.0 kg) - approximated

### Mounting Specifications:

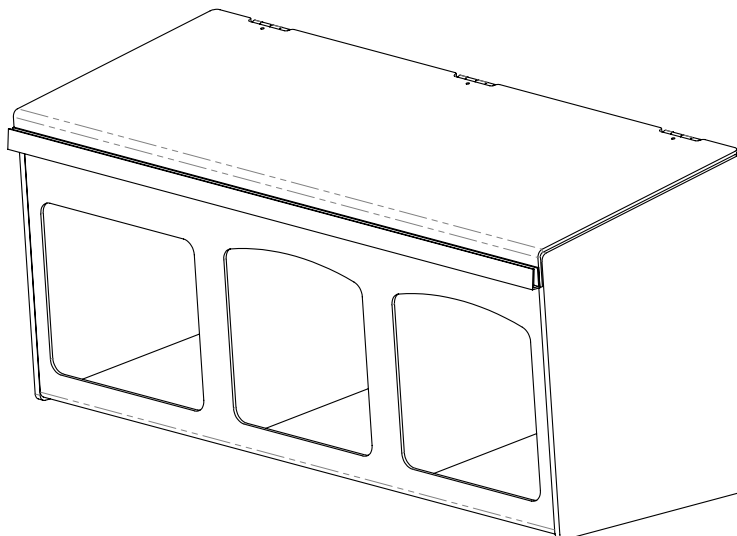




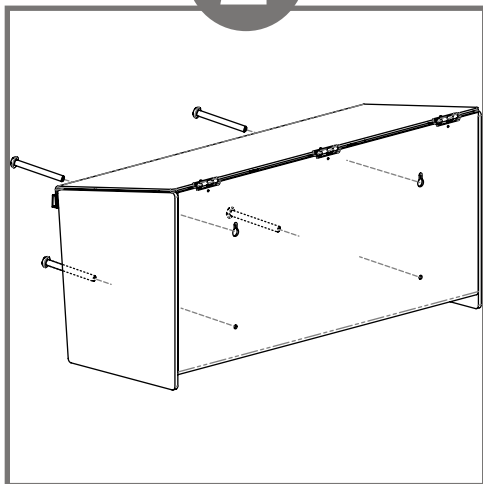
# 1



Hinged lid makes filling the compartments quick and easy.

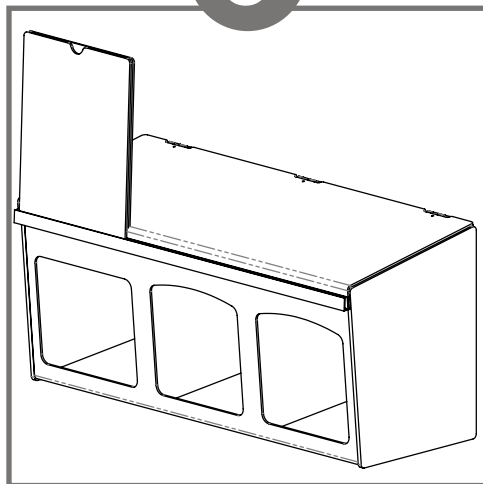


# 2



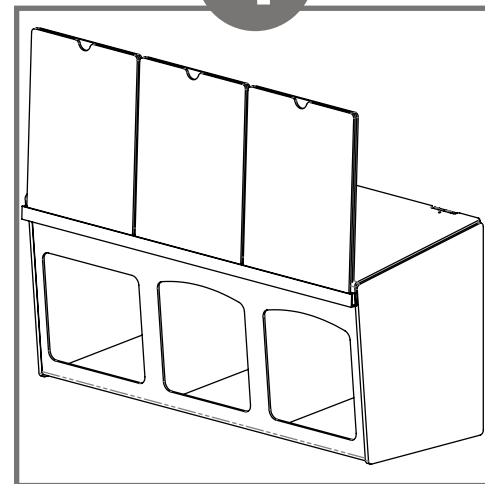
Dispenser should be mounted securely to a wall through keyholes and through-holes in back with screws approved by building maintenance.

# 3



Sign Holder MP-035 is attached by sliding into groove on front edge of dispenser lid.

# 4



Slide up to two additional sign holders into groove, each butting up against the previous holder.

### Parts included:

- Dispenser
- (3x) Sign Holders

### Tools required:

- No tools are required for assembly of the dispenser or sign holders.



## Advantage

### Designed for Long-Term Heavy-Duty Applications

The combination of copolymers (Acrylonitrile, Butadiene, and Styrene) gives ABS an excellent combination of strength, rigidity, and toughness.

## Major Benefits

### *Durable*

ABS has good chemical and stress-cracking resistance. It is tough, dimensionally stable, and will hold up to long-term use.

### *Cleaning*

Use a mild cleaner or soap and water to clean. Petroleum-based oils, solvents, and paints should not be used.

### *Strength*

ABS plastic possesses good strength and performance characteristics at a reasonable cost. These qualities make it perfect for a wide variety of applications, including medical and laboratory equipment.

### *Appearance*

The white, lightly textured finish has a clean, attractive look.





## Advantage

### Designed for Long-Term Heavy-Duty Applications

Copolyester resin is designed for heavy-duty applications, and is used by Bowman® HealthCare Dispensers exclusively.

## Major Benefits

### *Toughness*

Copolyester (PETG) is typically 15-20 times tougher than general purpose acrylic. PETG is made to withstand handling and reduce losses due to breakage.

### *Chemical Resistance*

PETG resists a variety of chemicals and commonly used cleaning agents.

### *Impact Strength*

PETG is tough and durable (not brittle), providing years of trouble-free functionality and long life.

### *Clarity and Gloss*

PETG looks good and makes an attractive display. Clear optical characteristics mean the viewer can see the content, read text, and see true colors through the material. Complies with FDA regulations for food contact.

### *Easy to Clean*

Use clean soft cloths or sponges to wash with mild cleaners and follow with a warm water rinse. Do not use abrasives, high alkaline cleaners, or petroleum-based products. Do not leave cleaners on PETG for long periods, wash immediately. Don't apply cleaners in direct sunlight or at elevated temperatures. Do not use scrapers, squeegees, or razors.

