



### Product Description:

- Face Mask Dispenser - Universal - Shield
- Holds a variety of boxed shield style face masks
- Keyholes for wall mounting
- Made of Quartz Beige ABS Plastic

### Primary Area for Product Usage:

- Surgical areas, interventional radiology, areas with a scrub sink

### Dispenses:

Fits a variety of shield style face mask boxes

- Boxes no smaller than 7.25"W x 8.00"H x 3.00"D (18.4 cm x 20.3 cm x 7.6 cm)
- Boxes no larger than 9.50"W x 8.50"H x 4.50"D (24.1 cm x 21.6 cm x 11.4 cm)

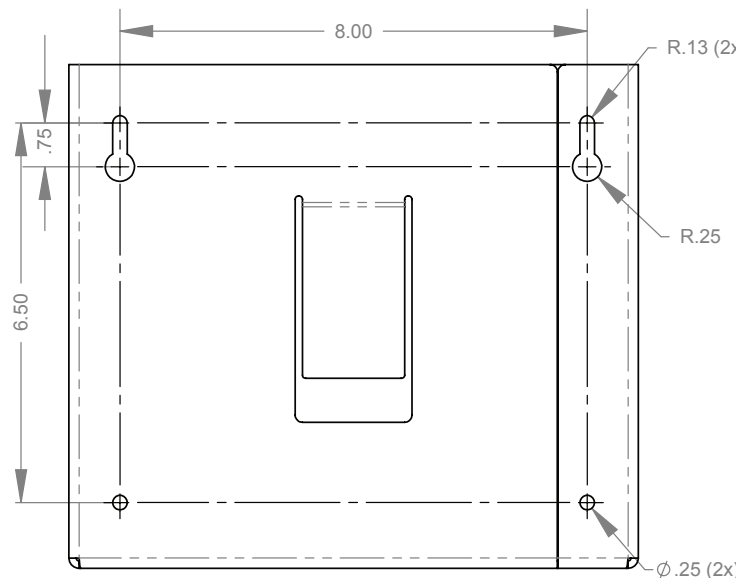
### Package Specifications:

- Package Quantity: 6 per case
- 18"L x 16"W x 10"H (45.7 cm x 40.6 cm x 25.4 cm)
- 9.0 lbs (4.1 kg) - approximated

### Product Specifications (overall external dimensions):

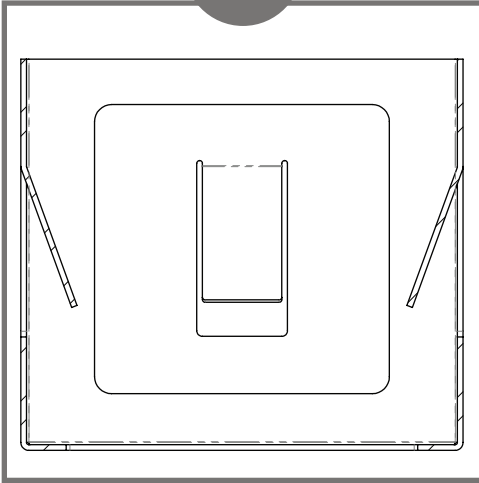
- 9.75"W x 8.63"H x 4.75"D (24.8 cm x 21.9 cm x 12.1 cm)
- 1.0 lbs (0.5 kg) - approximated

### Mounting Specifications:

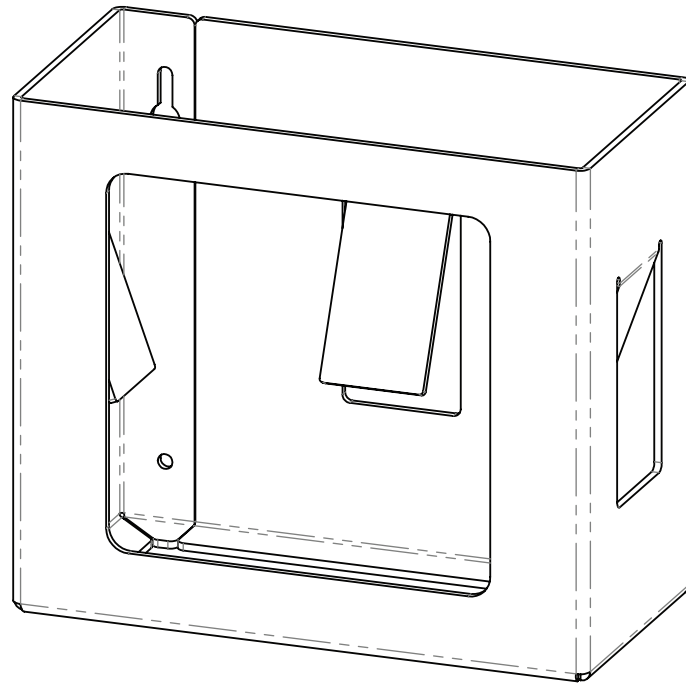




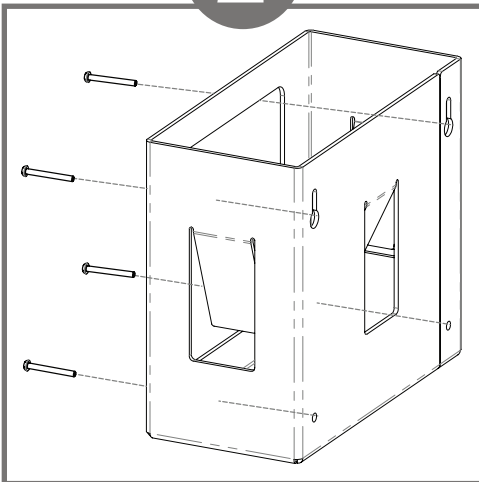
# 1



Flexible springs on sides and back of dispenser provide a secure fit for a wide variety of face mask box sizes.



# 2



Dispenser should be mounted securely to a wall through keyholes and through-holes in back with screws approved and provided by building maintenance.

### Parts included:

- Dispenser

### Tools required:

- No tools are required for assembly of the dispenser



## Advantage

### Designed for Long-Term Heavy-Duty Applications

The combination of copolymers (Acrylonitrile, Butadiene, and Styrene) gives ABS an excellent combination of strength, rigidity, and toughness.

## Major Benefits

### *Durable*

ABS is chemical and stress-crack resistant. It is tough, dimensionally stable, and will hold up to long-term use.

### *Cleaning*

Use mild soap and water to clean. Petroleum-based oils, solvents, and paints should not be used. Standard hospital cleaning supplies are approved for use on our ABS plastic products.

### *Strength*

ABS plastic possesses high strength and performance characteristics at a reasonable cost. These qualities make it perfect for a wide variety of applications, including medical and laboratory equipment.

### *Appearance*

The lightly textured finish of ABS plastic has a clean, attractive look.

