



MADE  
IN THE **USA**

### Product Description:

- Face Mask Dispenser - Universal - Cone
- Holds a variety of boxed cone style face masks
- Keyholes and screw holes for wall mounting
- Made of Quartz Beige ABS Plastic

### Primary Area for Product Usage:

- Surgical areas, interventional radiology, areas with a scrub sink

### Dispenses:

Most major manufacturers' cone-style face mask boxes:

- Boxes no smaller than 4.28"W x 7.00"H x 4.13"D (10.9 cm x 17.8 cm x 10.5 cm)
- Boxes no larger than 6.75"W x 8.5"H x 5.50"D (17.2 cm x 21.6 cm x 14.0 cm)

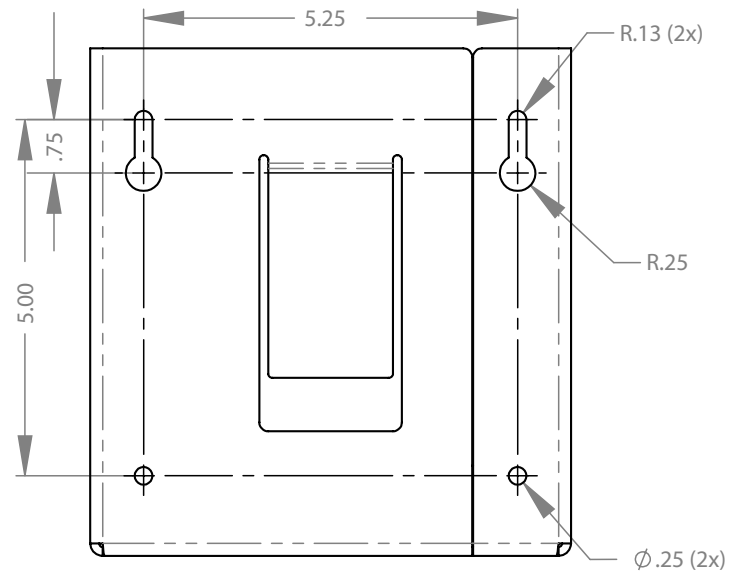
### Package Specifications:

- Package Quantity: 6 per case
- 16"L x 12"W x 12"H (40.6 cm x 30.5 cm x 30.5 cm)
- 7.0 lbs (3.2 kg) - approximated

### Product Specifications (overall external dimensions):

- 6.75"W x 7.13"H x 5.75"D (17.1 cm x 18.1 cm x 14.6 cm)
- 0.7 lbs (0.3 kg) - approximated

### Mounting Specifications:



### Companion Products (each sold separately):

- FM100-0212, Face Mask Dispenser - Universal - Earloop
- FM200-0212, Face Mask Dispenser - Universal - Shield



FM100-0212



FM200-0212



**PRODUCT VIDEOS:**

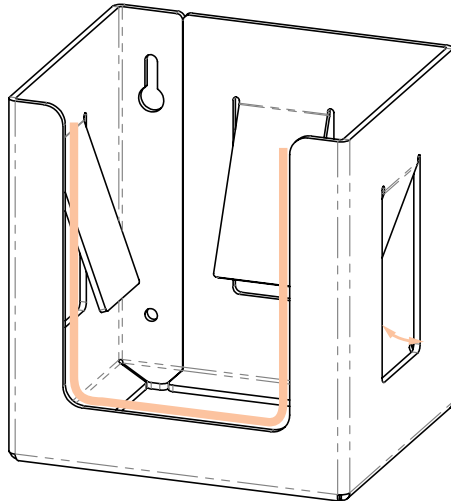
[bowmandispensers.com/product-videos](http://bowmandispensers.com/product-videos)



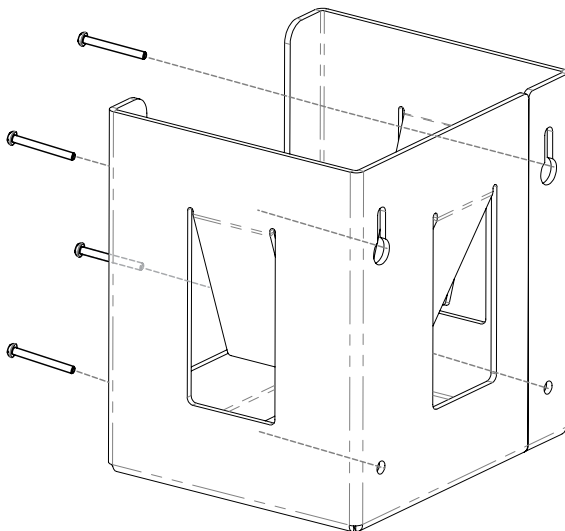
## Installation

Always mount dispensers securely *prior* to loading with product.

- Spring design provides a secure fit for a wide assortment of boxed products.
- U-shaped front design provides a wide viewing space for face mask box information, as well as, flexibility in dispensing area.



- Mount securely to a wall with screws approved and supplied by building maintenance.



### Parts included:

- Dispenser

### Tools Required:

- No tools required to assemble dispenser

## Characteristics & Care

ABS Plastic

### Material Characteristics

#### Designed for Long-Term, Heavy-Duty Applications

The combination of copolymers (Acrylonitrile, Butadiene, and Styrene) gives ABS an excellent combination of strength, rigidity, and toughness.

ABS is chemical, stress-crack resistant, dimensionally stable, and will hold up to long-term use. It possesses high strength and performance characteristics at a reasonable cost.

### Care and Cleaning

Use mild soap and water to clean. Petroleum-based oils, solvents, and paints should not be used.

Standard hospital cleaning supplies are approved for use on our ABS plastic products.