



### Product Description:

- Glove Box Dispenser - Double
- Holds two boxes of gloves
- Three-way keyholes for vertical or horizontal wall mounting
- Made of white powder-coated steel

### Primary Area for Product Usage:

- All primary care areas: clinic/exam rooms, radiology, labs, physical therapy, O.R. areas, employee health
- Service areas: kitchens, laundry facilities, environmental services, sterile processing

### Dispenses:

- Most brand name standard glove boxes
- Boxes no larger than 5.25"W x 10.00"H x 3.75"D (13.3 cm x 25.4 cm x 9.5 cm)

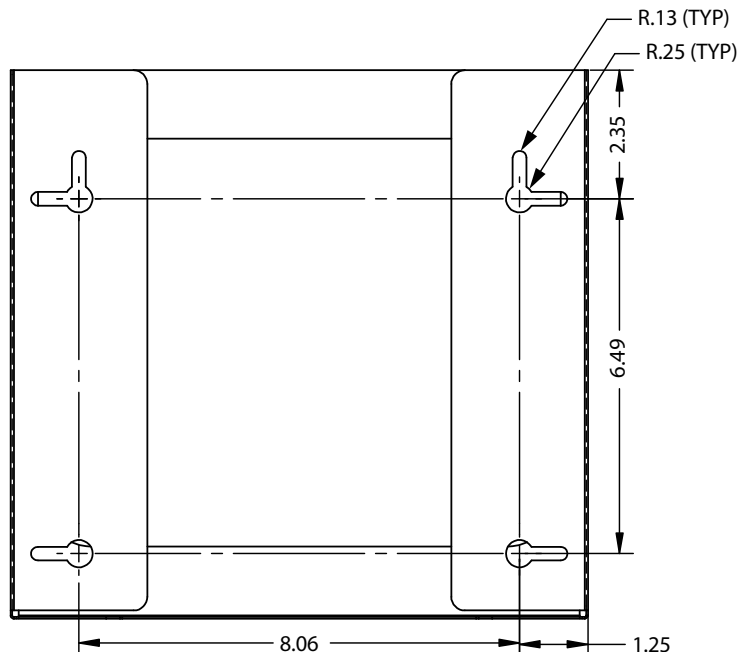
### Package Specifications:

- Package Quantity: 6 per case
- 16"L x 12"W x 12"H (40.6 cm x 30.5 cm x 30.5 cm)
- 12.0 lbs (5.4 kg) - approximated

### Product Specifications (overall external dimensions):

- 10.56"W x 10.03"H x 3.81"D (26.8 cm x 25.5 cm x 9.7 cm)
- 1.6 lbs (0.7 kg) - approximated

### Mounting Specifications:





## Advantage

### Designed for Long-Term Use

Dispensers and stands made of powder coated steel are both attractive and functional, providing years of service.

## Major Benefits

### *Durable*

Our powder coated steel dispensers and stands provide long-lasting products that hold up well in tough environments.

### *Cleaning*

The powder coated finish resists common chemicals and cleaning agents and can be easily wiped clean with soap and water.

### *Strength*

Powder coated steel is ideal for dispensers used in a healthcare or an industrial setting. It is impact resistant and is not effected by extremes in temperature.

### *Appearance*

The clean, bright appearance of quartz powder coated steel looks attractive and provides a professional image in all environments.

