



Product Description:

- Bulk Glove Dispenser - holds gloves in bulk quantity in single compartment with a hinged lid.
- Keyholes for wall mounting.
- Made of white Sintra® plastic.

Primary Areas for Product Usage:

- Food service kitchens, grocery departments, food preparation areas
- Chemical and hazardous waste areas

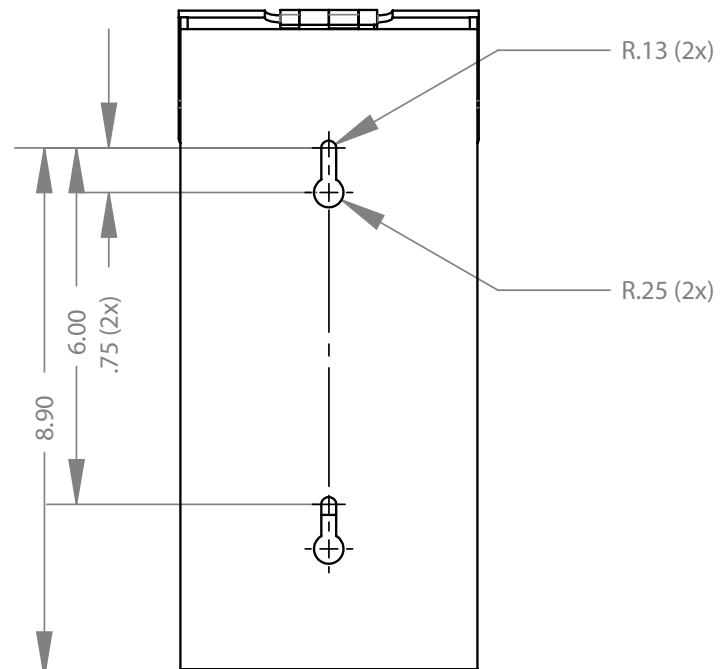
Package Specifications:

- Package Quantity - 12 per case
- 20.0"W x 16.0"H x 12.0"D (50.8 cm x 40.6 cm x 30.5 cm)
- 11.0 lbs (5.0 kg) - approximated

Product Specifications (overall external dimensions):

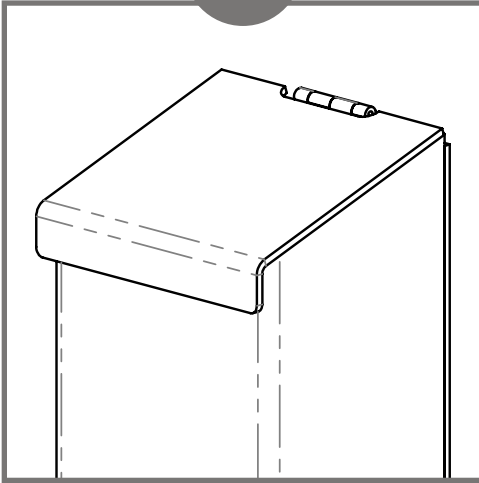
- 5.06"W x 11.19"H x 4.44"D (12.8 cm x 28.5 cm x 11.3 cm)
- 0.60 lbs (0.3 kg) - approximated

Mounting Specifications:

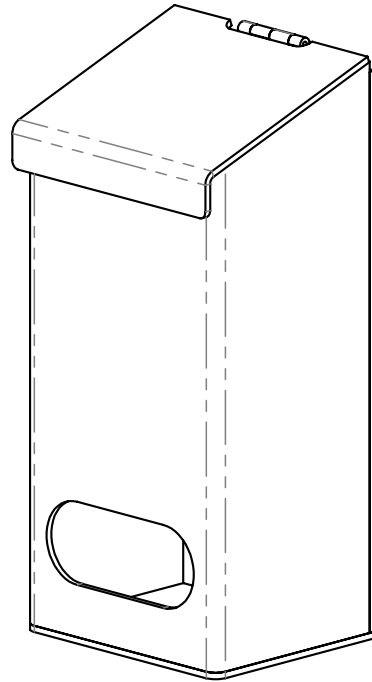




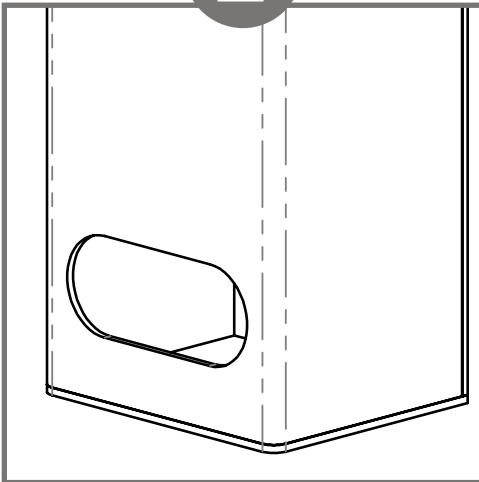
1



Convenient hinged lid makes filling with loose product quick and effortless.

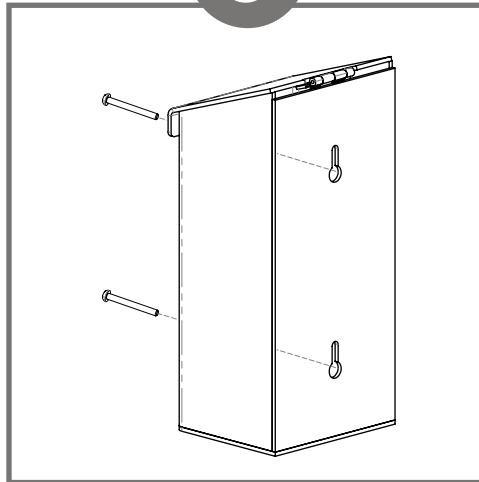


2



Oval design opening helps prevent over-dispensing.

3



Dispenser should be mounted securely to a wall through keyholes in back with screws approved by building maintenance.

Parts included:

- Glove Dispenser

Tools required:

- No tools required for assembly of glove dispenser.



Advantage

Designed for Long-Term Applications

Sintra® plastic is a lightweight, yet rigid, board of moderately expanded closed-cell polyvinyl chloride (PVC). It is dent resistant and provides an excellent combination of rigidity and durability.

Major Benefits

Durable

Sintra® has a high strength-to-weight ratio and offers excellent corrosion, dent, and scratch resistance. It's resistance to moisture makes it an excellent choice for locations prone to high humidity. Products constructed of Sintra® should not be located in areas subject to high temperatures (above 140° F).

Economical

Our products constructed of Sintra® plastic are affordable enough to install in every location they are needed. Additionally, they are lightweight and can be mounted securely on almost any wall.

Cleaning

Sintra® can be wiped clean with a mild cleaner or soap and lukewarm water. Isopropyl alcohol is recommended to remove grease or oil. Ammonia and acetone should not be used.

Appearance

The low gloss, matte finish of Sintra®'s surface is attractive and modern in appearance.

