



Product Description:

- Glove Box Dispenser - Double with Divider
- Holds two boxes of gloves
- Two-way keyholes for vertical or horizontal wall mounting
- Made of white powder-coated steel

Primary Area for Product Usage:

- All primary care areas: clinic/exam rooms, radiology, labs, physical therapy, O.R. areas
- Non-patient areas: kitchens, laundry facilities, environmental services, sterile processing

Dispenses:

Most brand name standard glove boxes:

- Boxes no larger than 5.24"W x 10.00"H x 3.75"D (13.3 cm x 25.4 cm x 9.5 cm)

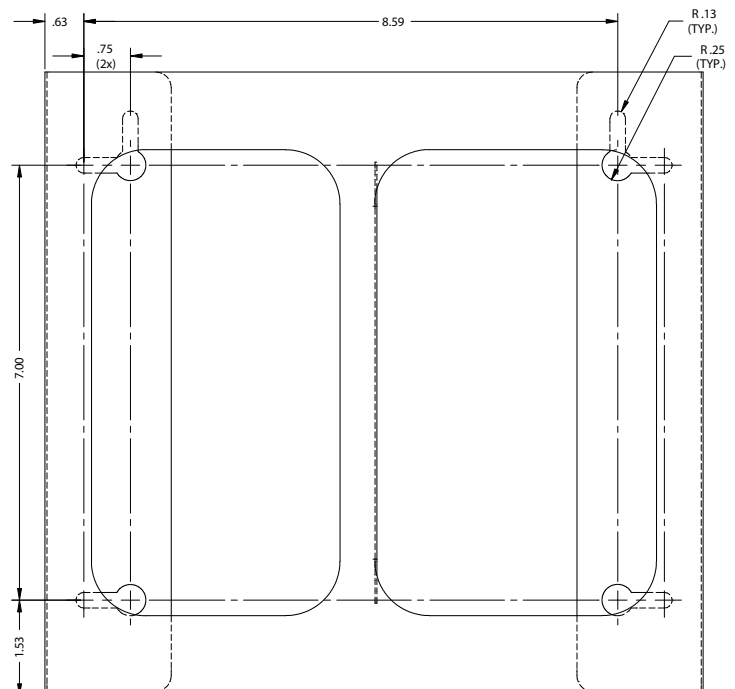
Package Specifications:

- Package Quantity: 6 per case
- 16"L x 12"W x 12"H (40.6 cm x 30.5 cm x 30.5 cm)
- 12.0 lbs (5.4 kg) - approximated

Product Specifications (overall external dimensions):

- 10.59"W x 10.03"H x 3.81"D (26.9 cm x 25.5 cm x 9.7 cm)
- 1.75 lbs (0.8 kg) - approximated

Mounting Specifications:





Advantage

Designed for Long-Term Use

Dispensers and stands made of powder coated steel are both attractive and functional, providing years of service.

Major Benefits

Durable

Our powder coated steel dispensers and stands provide long-lasting products that hold up well in tough environments.

Cleaning

The powder coated finish resists common chemicals and cleaning agents and can be easily wiped clean with soap and water.

Strength

Powder coated steel is ideal for dispensers used in a healthcare or an industrial setting. It is impact resistant and is not effected by extremes in temperature.

Appearance

The clean, bright appearance of quartz powder coated steel looks attractive and provides a professional image in all environments.

