



Product Description:

- Glove Box Dispenser - Double with dividers
- Holds two boxes of gloves
- Three-way keyholes for vertical or horizontal wall mounting
- Made of clear PETG plastic

Primary Area for Product Usage:

- All primary care areas: clinic/exam rooms, radiology, labs, physical therapy, O.R. areas, environmental services
- Non-patient areas: kitchens, laundry facilities, environmental services, sterile processing

Dispenses:

Most brand name standard glove boxes:

- Boxes no larger than 5.50"W x 10.00"H x 3.75"D (14.0 cm x 25.4 cm x 9.5 cm)

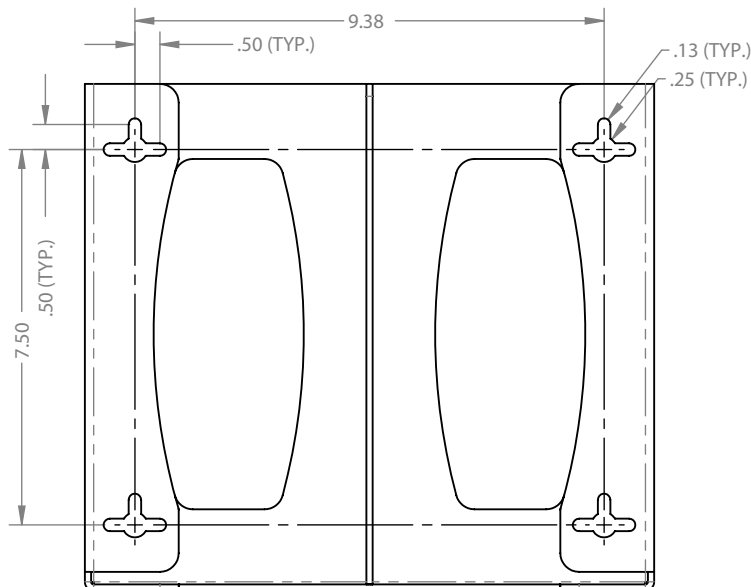
Package Specifications:

- Package Quantity: 6 per case
- 16"L x 12"W x 12"H (40.6 cm x 30.5 cm x 30.5 cm)
- 9.0 lbs (4.1 kg) - approximated

Product Specifications (overall external dimensions):

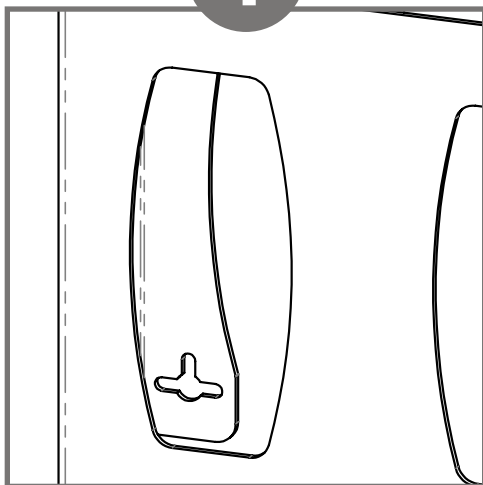
- 11.38"W x 10.13"H x 4.00"D (28.9 cm x 25.7 cm x 10.2 cm)
- 1.15 lbs (0.5 kg) - approximated

Mounting Specifications:

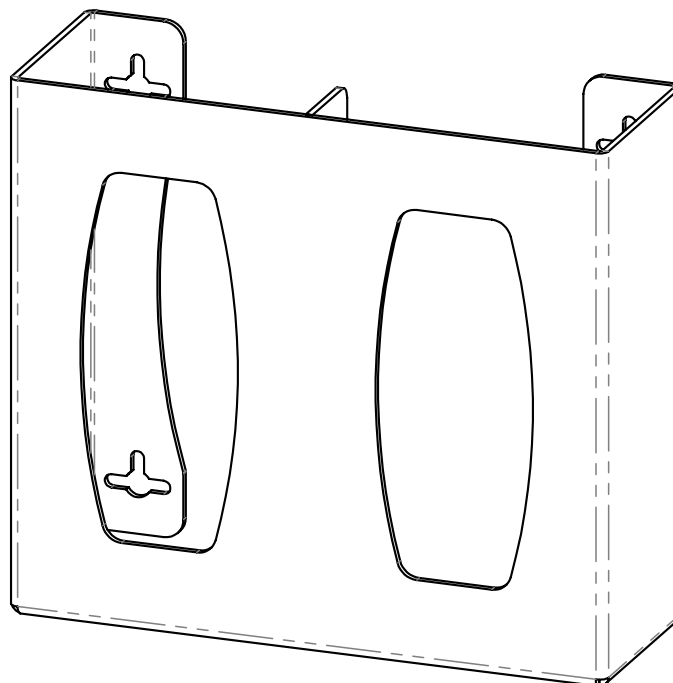




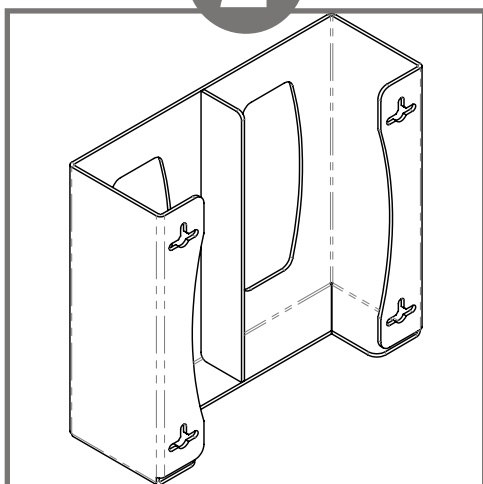
1



Unique shape of openings helps prevent over dispensing product.

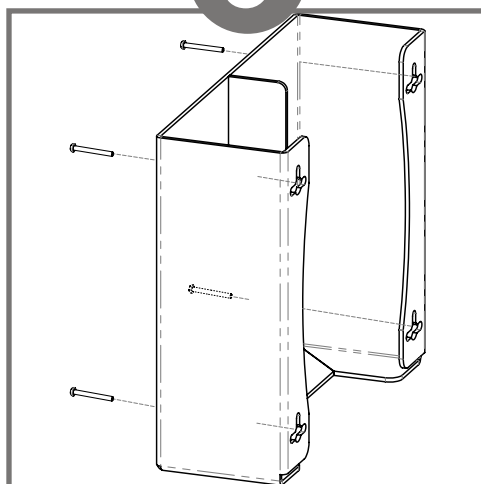


2



Divider keeps glove boxes separate, easy to load, and stable without compromising aesthetics or effectiveness.

3



Dispenser should be mounted securely to a wall through keyholes in back with screws approved and provided by building maintenance.

Parts included:

- Dispenser

Tools required:

- No tools required to assemble glove box dispenser



Advantage

Designed for Long-Term Heavy-Duty Applications

Copolyester resin is designed for heavy-duty applications, and is used by Bowman® Dispensers exclusively.

Major Benefits

Toughness

Copolyester (PETG) is typically 15-20 times tougher than general purpose acrylic. PETG is made to withstand handling and reduce losses due to breakage.

Chemical Resistance

PETG resists a variety of chemicals and commonly used cleaning agents.

Impact Strength

PETG is tough and durable (not brittle), providing years of trouble-free functionality and long life.

Clarity and Gloss

PETG looks good and makes an attractive display. Clear optical characteristics mean the viewer can see the content, read text, and see true colors through the material. Complies with FDA regulations for food contact.

Easy to Clean

Most cleaning chemicals do not weaken the surface or cause damage to the material. Suggested cleaning method is to use a soft cloth, warm water, and mild soap.

