



### Product Description:

- Glove Box Dispenser - Double with dividers
- Holds two boxes of gloves
- Three-way keyholes for vertical or horizontal wall mounting
- Made of Quartz ABS plastic

### Primary Area for Product Usage:

- All primary care areas: clinic/exam rooms, radiology, labs, physical therapy, O.R. areas, environmental services

### Dispenses:

- Most brand name standard glove boxes no larger than 5.50"W x 10.00"H x 3.75"D (14.0 cm x 25.4 cm x 9.5 cm)

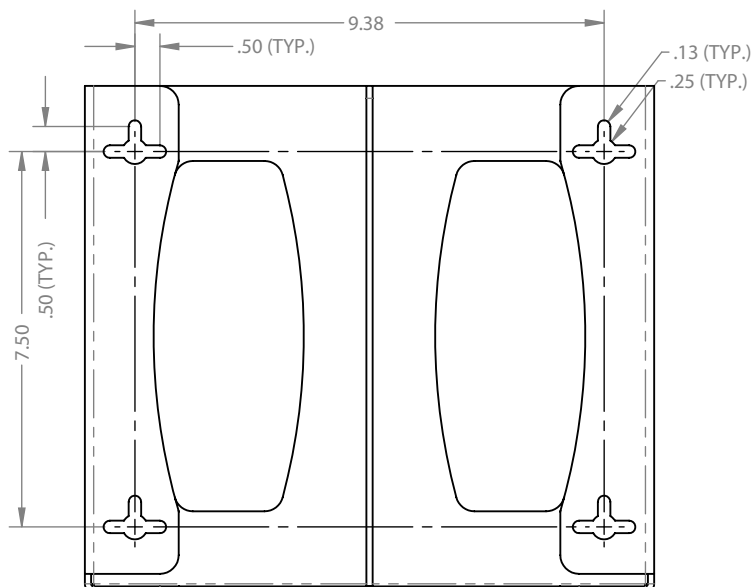
### Package Specifications:

- Package Quantity: 6 per case
- 16"L x 12"W x 12"H (40.6 cm x 30.5 cm x 30.5 cm)
- 9.0 lbs (4.1 kg) - approximated

### Product Specifications (overall external dimensions):

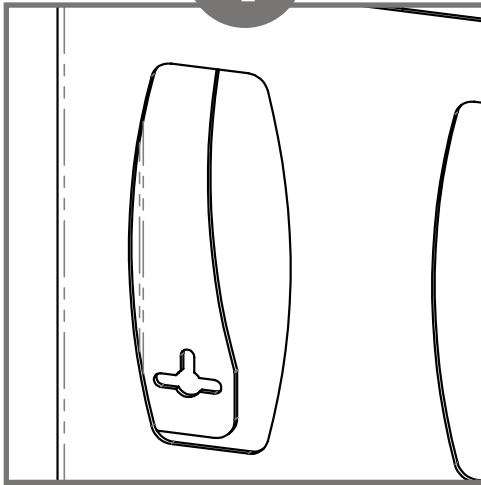
- 11.38"W x 10.13"H x 4.00"D (28.9 cm x 25.7 cm x 10.2 cm)
- 1.15 lbs (0.5 kg) - approximated

### Mounting Specifications:

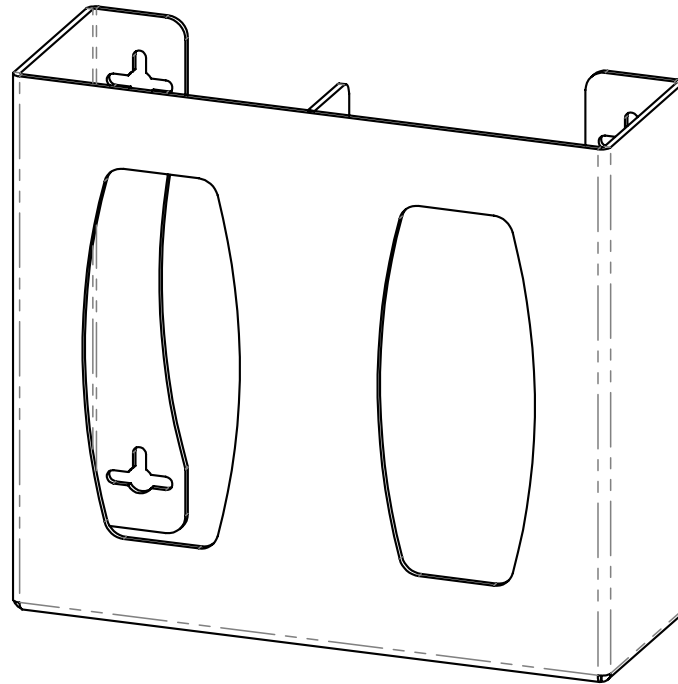




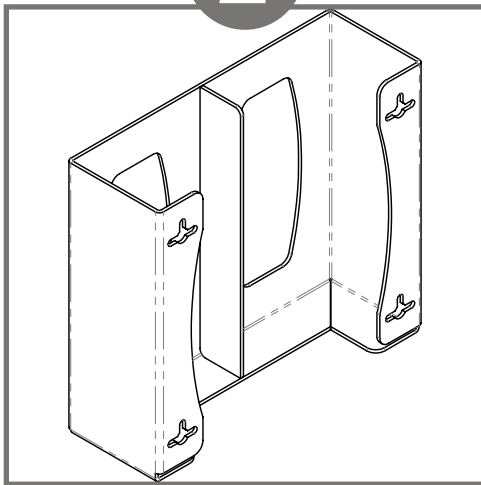
### 1



Unique shape of openings helps prevent over dispensing product.

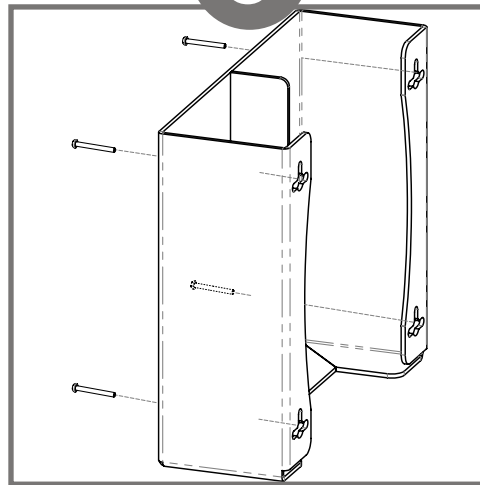


### 2



Dividers keep glove boxes separate, easy to load, and stable without compromising aesthetics or effectiveness.

### 3



Dispenser should be mounted securely to a wall through keyholes in back with screws approved and provided by building maintenance.

#### Parts included:

- Dispenser

#### Tools required:

- No tools required to assemble glove box dispenser



## Advantage

### Designed for Long-Term Heavy-Duty Applications

The combination of copolymers (Acrylonitrile, Butadiene, and Styrene) gives ABS an excellent combination of strength, rigidity, and toughness.

## Major Benefits

### *Durable*

ABS is chemical and stress-crack resistant. It is tough, dimensionally stable, and will hold up to long-term use.

### *Cleaning*

Use mild soap and water to clean. Petroleum-based oils, solvents, and paints should not be used.

### *Strength*

ABS plastic possesses good strength and performance characteristics at a reasonable cost. These qualities make it perfect for a wide variety of applications, including medical and laboratory equipment.

### *Appearance*

The quartz, lightly textured finish has a clean, attractive look.

