



### Product Description:

- Glove Box Dispenser - Single - Food Service - Narrow
- Holds one box of food service gloves
- Rear spring holds a variety of glove box sizes securely
- Three-way keyholes for vertical or horizontal wall mounting
- Made of Clear PETG Plastic

### Primary Area for Product Usage:

- Kitchens, laundry facilities, environmental services, sterile processing

### Dispenses:

- Many smaller brand name food service glove boxes no larger than 4.88"W x 10.00"H x 2.75"D (12.4 cm x 22.9 cm x 7.0 cm)

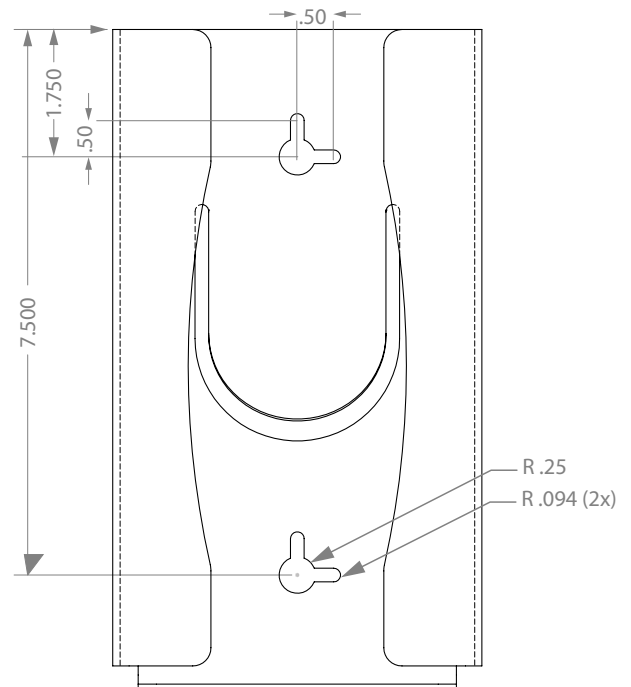
### Package Specifications:

- Package Quantity: 12 per case
- 16"L x 12"W x 12"H (40.6 cm x 30.5 cm x 30.5 cm)
- 7.0 lbs (3.2 kg) - approximated

### Product Specifications (overall external dimensions):

- 5.08"W x 9.10"H x 2.95"D (12.9 cm x 23.1 cm x 7.5 cm)
- 0.4 lbs (0.2 kg) - approximated

### Mounting Specifications:





## Advantage

### Designed for Long-Term Heavy-Duty Applications

Copolyester resin is designed for heavy-duty applications, and is used by Bowman® Dispensers exclusively.

## Major Benefits

### *Toughness*

Copolyester (PETG) is typically 15-20 times tougher than general purpose acrylic. PETG is made to withstand handling and reduce losses due to breakage.

### *Chemical Resistance*

PETG resists a variety of chemicals and commonly used cleaning agents, such as PDI wipes.

### *Impact Strength*

PETG is tough and durable (not brittle), providing years of trouble-free functionality and long life.

### *Clarity and Gloss*

PETG looks good and makes an attractive display. Clear optical characteristics mean the viewer can see the content, read text, and see true colors through the material. Complies with FDA regulations for food contact.

### *Easy to Clean*

Most cleaning chemicals do not weaken the surface or cause damage to the material. Suggested cleaning method is to use a soft cloth, warm water, and mild soap.

