



Product Description:

- Glove Box Dispenser - Single - Food Service - Narrow
- Holds one box of food service gloves
- Rear spring holds a variety of glove box sizes securely
- Three-way keyholes for vertical or horizontal wall mounting
- Made of Stainless Steel

Primary Area for Product Usage:

- Kitchens, laundry facilities, environmental services, sterile processing

Dispenses:

- Many smaller brand name food service glove boxes no larger than 4.88"W x 10.00"H x 2.75"D (12.4 cm x 22.9 cm x 7.0 cm)

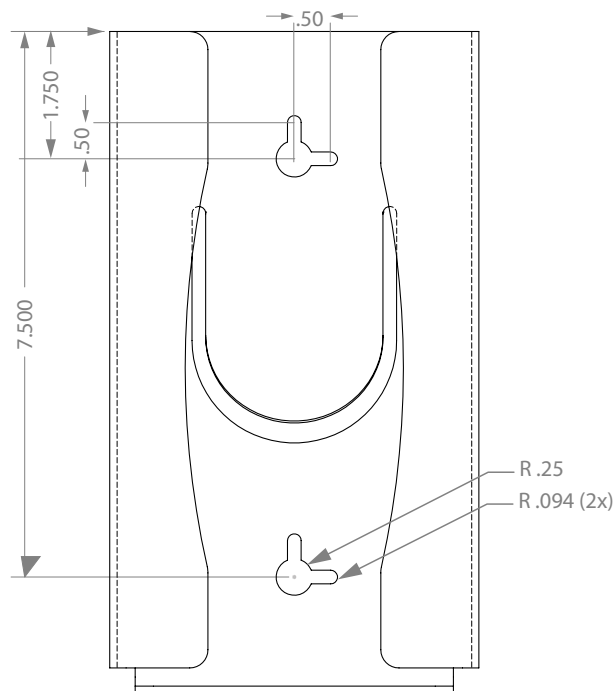
Package Specifications:

- Package Quantity: 12 per case
- 16"L x 12"W x 12"H (40.6 cm x 30.5 cm x 30.5 cm)
- 16.0 lbs (7.3 kg) - approximated

Product Specifications (overall external dimensions):

- 4.95"W x 9.04"H x 2.82"D (12.6 cm x 23.0 cm x 7.2 cm)
- 1.2 lbs (0.5 kg) - approximated

Mounting Specifications:





Advantage

Designed for Long-Term Heavy-Duty Applications

By its nature, stainless steel is resistant to corrosion and oxidation, yet the bright, easily maintained surface provides a modern and attractive appearance.

Major Benefits

Corrosion Resistance

Stainless steel is used overwhelmingly for its corrosion resistance characteristics. Along with being sturdy, stainless steel is also fire and heat resistant.

Cleaning and Sanitizing

Stainless steel resists a variety of common chemicals and cleaning agents. Clean using warm water, a gentle detergent, and soft cloth. Dry thoroughly to avoid spotting. Do not use steel wool.

Strength

Stainless steel has work-hardening properties, giving the material a great strength-to-weight advantage over other materials. It also provides impact resistance and high toughness in extreme temperatures.

Appearance

Stainless steel's bright, stain resistant surface provides a pleasing aesthetic appearance. The reflective qualities project a bold professional image.

