



MADE
IN THE **USA**

Companion and Alternate Products (each sold separately):

- GL100-0212, Glove Box Dispenser - Single
- GL020-0212, Glove Box Dispenser - Double with Dividers
- GL300-0212, Glove Box Dispenser - Triple with Dividers
- GL040-0212, Glove Box Dispenser - Quad with Dividers



3x GloveCatcher Trays shown in use on
GL300-0212 (each sold separately)

Product Description:

- GloveCatcher® Tray by BOWMAN®
- Accessory for glove box dispensers
- Attaches to any glove dispenser holding the glove box(es) horizontally
- Secures to dispenser using double-sided mounting tape (attached)
- Additional trays may be added to dispensers that hold multiple glove boxes
- Made of Quartz Beige ABS Plastic

Primary Area for Product Usage:

- All primary care areas: clinic/exam rooms, radiology, labs, physical therapy, OR areas, employee health
- Kitchens, laundry facilities, environmental services, sterile processing

Fits:

Most major manufacturers' standard glove box dispensers with solid faces:

- Dispensers no smaller than 10.50"W (26.7 cm)

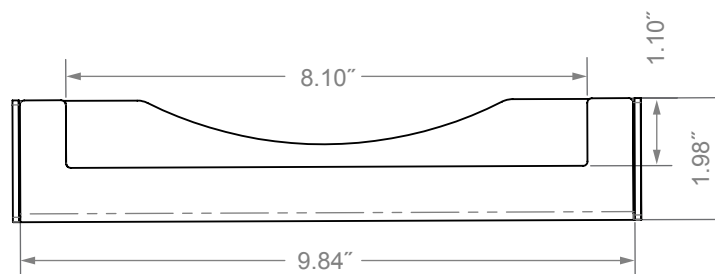
Package Specifications:

- Package Quantity: 12 per case
- 14"W x 12"H x 9"D (35.6 cm x 30.5 cm x 22.9 cm)
- 6.0 lbs (2.7 kg) - approximated

Product Specifications (overall external dimensions):

- 9.84"W x 1.98"H x 3.00"D (25.0 cm x 5.0 cm x 7.6 cm)
- 0.3 lbs (0.1 kg) - approximated

Mounting Specifications:

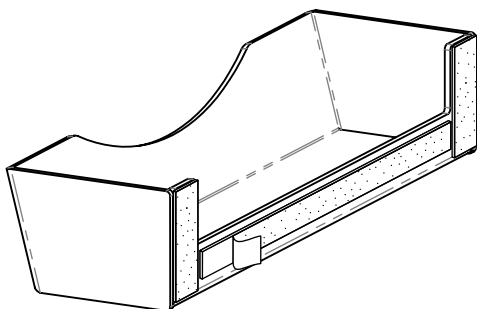




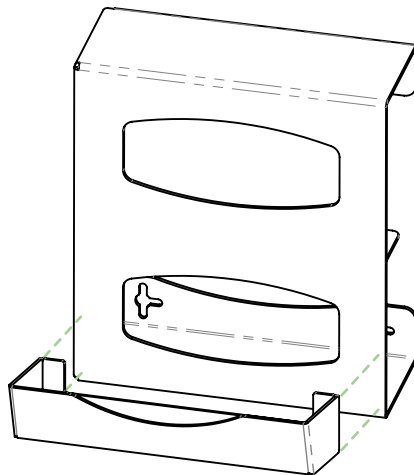
Installation

Always mount dispensers securely *prior* to loading with product.

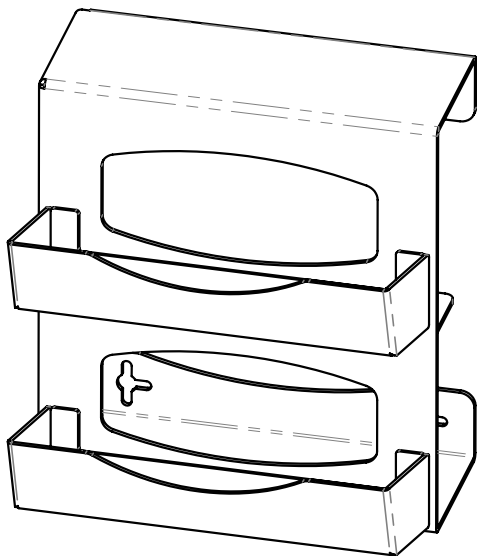
- Remove tape backing
- Line up bottom of tray to bottom of glove box section
- Firmly press tray to dispenser
- Allow to set 6 hours to fully adhere



1



- Additional trays can be added to dispensers that hold multiple glove boxes



2

Parts included:

- Dispenser

Tools Required:

- No tools required to assemble dispenser

Care and Construction

ABS Plastic

Material Characteristics

Designed for Long-Term, Heavy-Duty Applications

The combination of copolymers (Acrylonitrile, Butadiene, and Styrene) gives ABS an excellent combination of strength, rigidity, and toughness.

ABS is chemical, stress-crack resistant, dimensionally stable, and will hold up to long-term use. It possesses high strength and performance characteristics at a reasonable cost.

Care and Cleaning

Use mild soap and water to clean. Petroleum-based oils, solvents, and paints should not be used.

Standard hospital cleaning supplies are approved for use on our ABS plastic products.