



MADE IN THE USA

In Use (shown below):



Product Description:

- GloveCatcher® by BOWMAN®
- Holds one box of gloves
- Built-in tray helps to reduce glove loss
- Loads from right or left side
- Flexible side tabs keep the box in place
- Keyholes for wall mounting
- Made of Quartz Beige ABS Plastic

Primary Area for Product Usage:

- All primary care areas: clinic/exam rooms, radiology, labs, physical therapy, OR areas, employee health
- Kitchens, laundry facilities, environmental services, sterile processing

Dispenses:

Most major manufacturers' standard glove boxes:

- Boxes no larger than 5.50"W x 10.00"H x 3.75"D (14.0 cm x 25.4 cm x 9.5 cm)

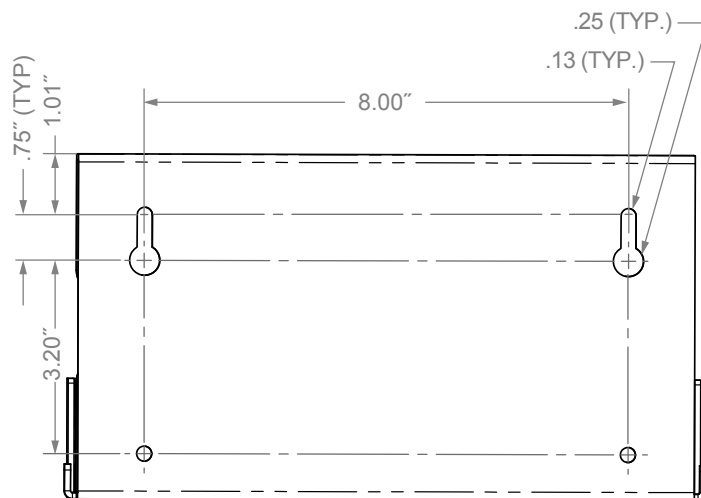
Package Specifications:

- Package Quantity: 6 per case
- 18"W x 16"H x 10"D (35.6 cm x 30.5 cm x 22.9 cm)
- 8.0 lbs (3.6 kg) - approximated

Product Specifications (overall external dimensions):

- 10.61"W x 5.70"H x 6.85"D (26.9 cm x 14.5 cm x 17.4 cm)
- 1.0 lbs (0.1 kg) - approximated

Mounting Specifications:

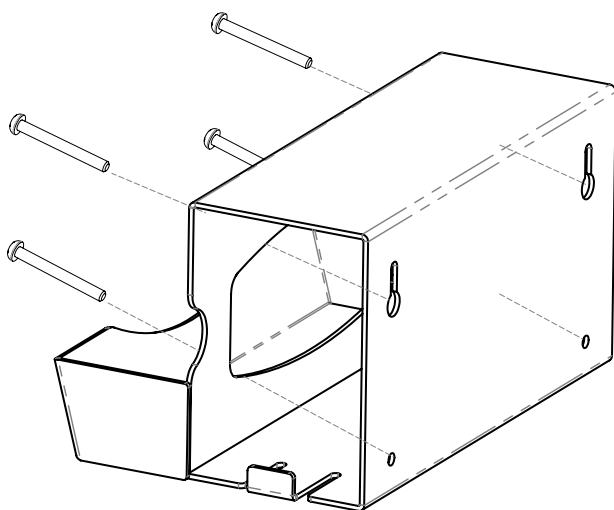




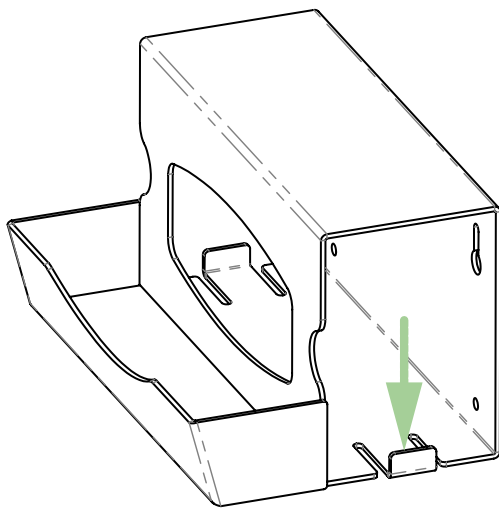
Installation

Always mount dispensers securely *prior* to loading with product.

- Mount securely to a wall or cabinet with screws approved and supplied by building maintenance.



- If glove box is more than 5" tall, load by pressing down tab as box is inserted.
- Flexible side tabs prevent box from falling out while in use.
- Release the box in the same manner.



Parts included:

- Dispenser

Tools Required:

- No tools required to assemble dispenser

Care and Construction

ABS Plastic

Material Characteristics

Designed for Long-Term, Heavy-Duty Applications

The combination of copolymers (Acrylonitrile, Butadiene, and Styrene) gives ABS an excellent combination of strength, rigidity, and toughness.

ABS is chemical, stress-crack resistant, dimensionally stable, and will hold up to long-term use. It possesses high strength and performance characteristics at a reasonable cost.

Care and Cleaning

Use mild soap and water to clean. Petroleum-based oils, solvents, and paints should not be used.

Standard hospital cleaning supplies are approved for use on our ABS plastic products.