



MADE IN THE USA

### Product Description:

- Glove Box Dispenser - Quad
- Holds four boxes of gloves
- Keyholes for wall mounting
- Made of Clear PETG Plastic

### Primary Area for Product Usage:

- All primary care areas: clinic/exam rooms, radiology, labs, physical therapy, O.R. areas, environmental services
- Anywhere glove boxes are needed

### Dispenses:

- Most manufacturers' standard glove boxes
- Glove boxes no larger than 10.25"W x 5.50"H x 3.50"D (26.0 cm x 14.0 cm x 8.9 cm)
- Glove boxes no smaller than 9.00"W x 4.50"H x 2.50"D (11.4 cm x 22.9 cm x 7.0 cm)

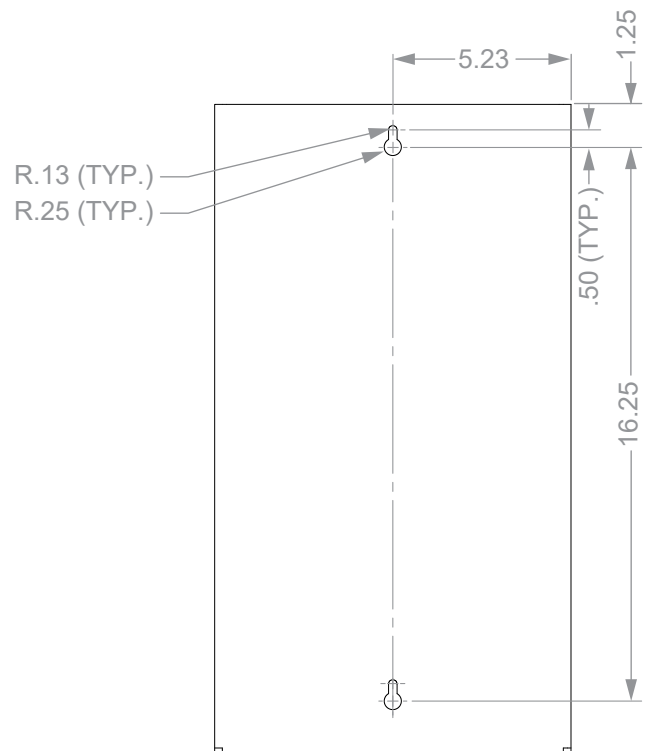
### Package Specifications:

- Package Quantity: 4 per case
- 18"L x 16"W x 10"H (45.7 cm x 40.6 cm x 25.4 cm)
- 13.0 lbs (5.9 kg) - approximated

### Product Specifications (overall external dimensions):

- 10.45"W x 14.35"H x 3.70"D (26.2 cm x 36.3 cm x 9.4 cm)
- 2.7 lbs (1.2 kg) - approximated

### Mounting Specifications:



### Alternative Products (each sold separately):

- GP-310, Glove Box Dispenser - Single
- GP-320, Glove Box Dispenser - Double
- GP-330, Glove Box Dispenser - Triple



GP-310



GP-320



GP-340

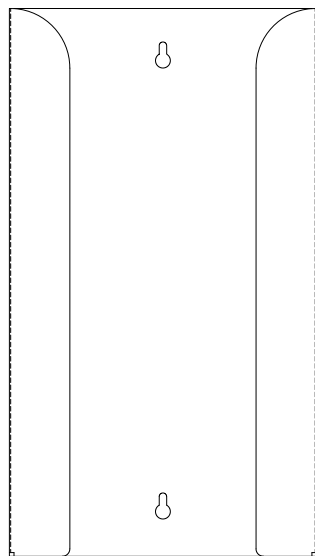




## Installation

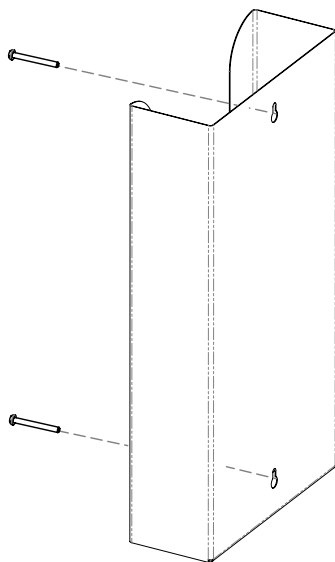
Always mount dispensers securely *prior* to loading with product.

- Open front allows for a wide variety of perforated glove box openings.



1

- Mount securely to a wall with screws approved and supplied by building maintenance.



2

### Parts included:

- Dispenser

### Tools Required:

- No tools required to assemble dispenser

## Care and Construction

### PETG Plastic

#### Material Characteristics

#### Designed for Long-Term, Heavy-Duty Applications

Copolyester resin is designed for heavy-duty applications, and is used by BOWMAN® Dispensers. We never use acrylic in our products.

Copolyester (PETG) is typically 15-20 times tougher than general purpose acrylic. PETG is made to withstand handling and reduce losses due to breakage.

PETG resists a variety of chemicals and commonly used cleaning agents, such as PDI wipes. It is tough and durable (not brittle), providing years of trouble-free functionality and long life.

Clear optical characteristics mean the viewer can see the content, read text, and see true colors through the material. It complies with FDA regulations for food contact.

#### Care and Cleaning

Most cleaning chemicals do not weaken the surface or cause damage to the material. Suggested cleaning method is to use a soft cloth, warm water, and mild soap.