



RS001-0212 and MP-070 shown (each sold separately)

### Product Description:

- Floor Stand - Accommodates a variety of BOWMAN® Respiratory Hygiene Stations
- Column with square base and mounting top plate for companion product
- Hardware is included
- Made of quartz powder coated steel

### Primary Area for Product Usage:

- Ports of entry: waiting rooms, lobbies, elevators
- Medical offices or clinics

### Companion Products (each sold separately):

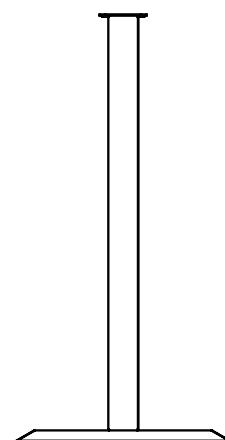
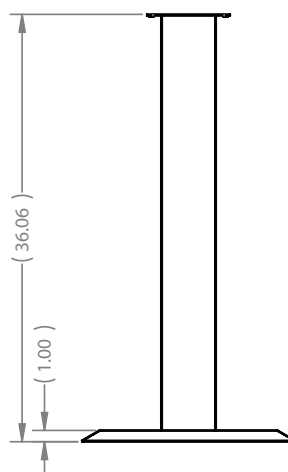
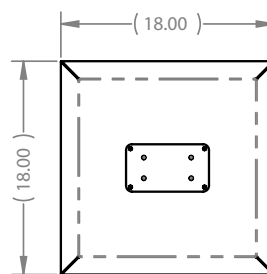
- |          |              |              |
|----------|--------------|--------------|
| • ED-097 | • PS014-0212 | • RS004-0512 |
| • FD-062 | • RS001-0212 | • RS005-0512 |
| • FD-068 | • RS001-0512 |              |
| • FD-111 | • RS002-0212 |              |
| • FD-112 | • RS002-0512 |              |

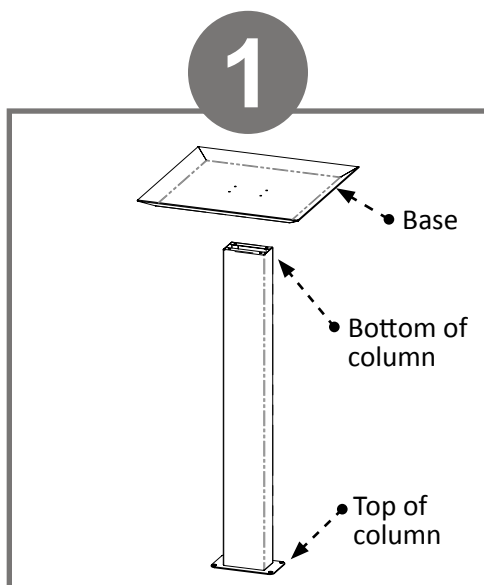
### Package Specifications:

- Package Quantity: 1 per case
- 36"L x 20"W x 6"H (91.4 cm x 50.8 cm x 15.2 cm)
- 20.0 lbs (9.1 kg) - approximated

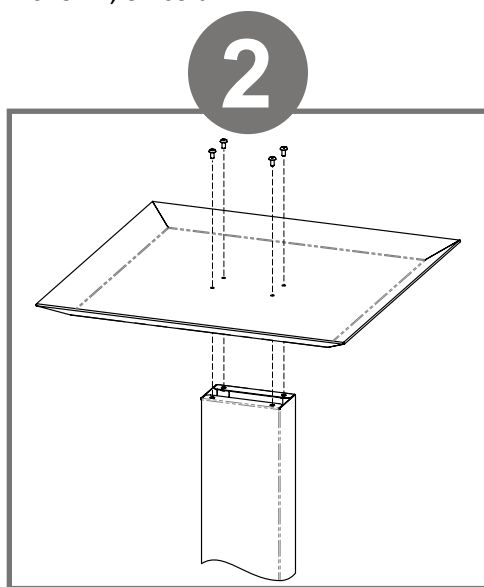
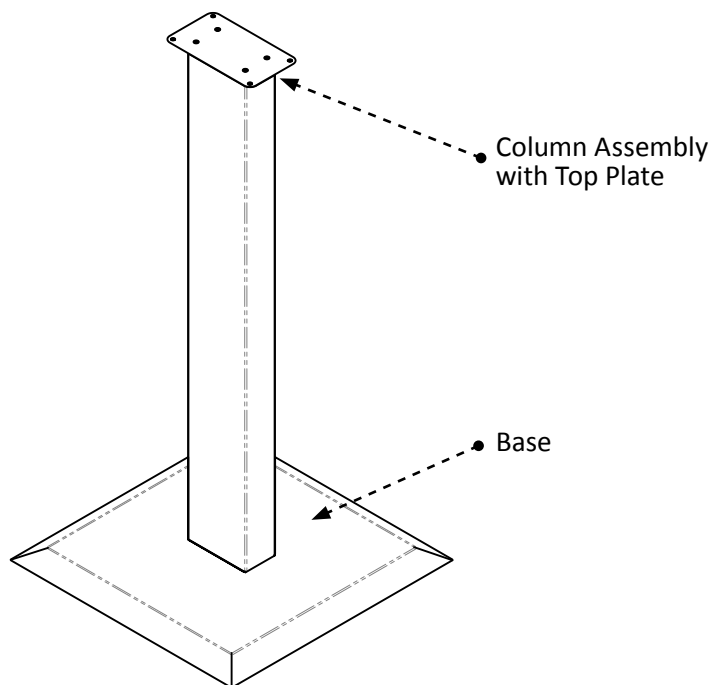
### Product Specifications (overall external dimensions):

- 18.00"W x 36.06"H x 18.00"D (45.7 cm x 91.6 cm x 45.7 cm)
- 16.0 lbs (7.3 kg) - approximated

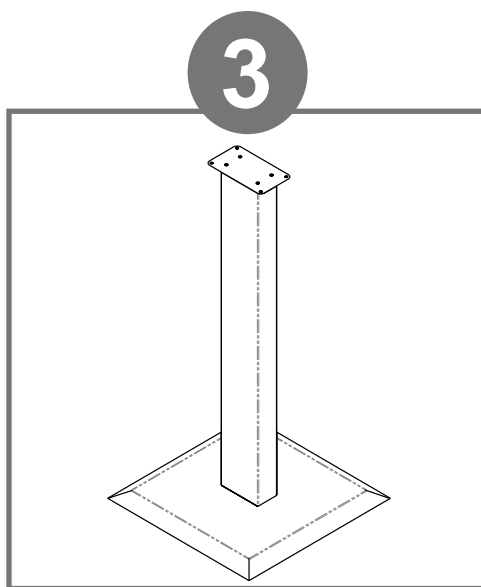




To secure base to column, turn column upside down (with top plate down) and place base inverted, as shown, on column.



Use Phillips screwdriver to secure base to column with (4x) screws (10-32 x 5/16").



Turn stand right side up, so the base is on the floor.

### Companion Products:

- Respiratory Hygiene Stations (FD and RS series)
- Infection Prevention Organizer (ED-097)
- Isolation Unit (PS014-0212)

### Parts included:

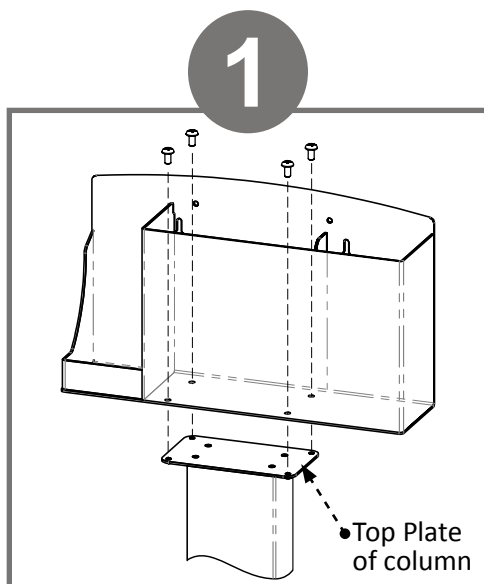
- Column
- Base
- Hardware
  - (8x) Screws: (4x) for stand, (4x) included to attach companion product (Phillips type 10-32 x 5/16")

### Tools required:

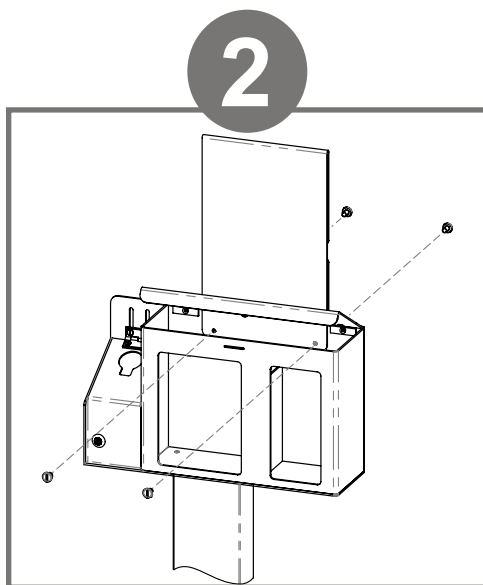
- Phillips Screwdriver



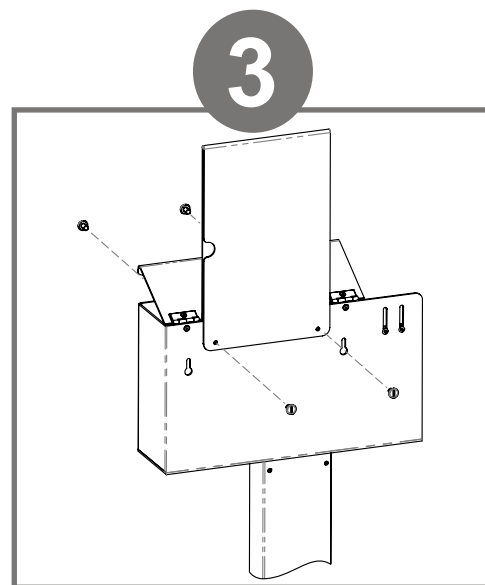
See list of available companion products on page 1 of data sheet. (each product sold separately)



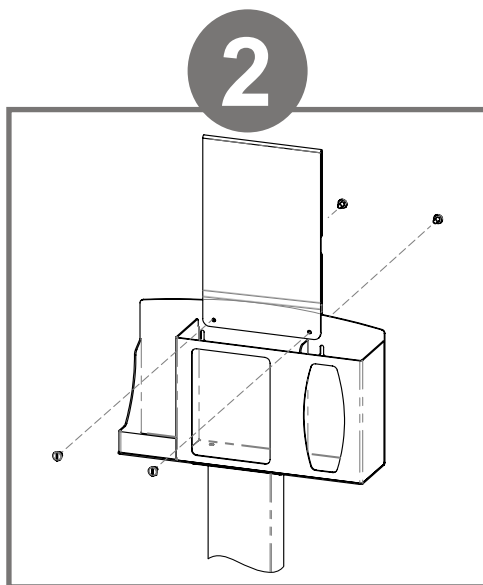
Attach selected companion to the column using (4x) screws included with stand. Tighten.



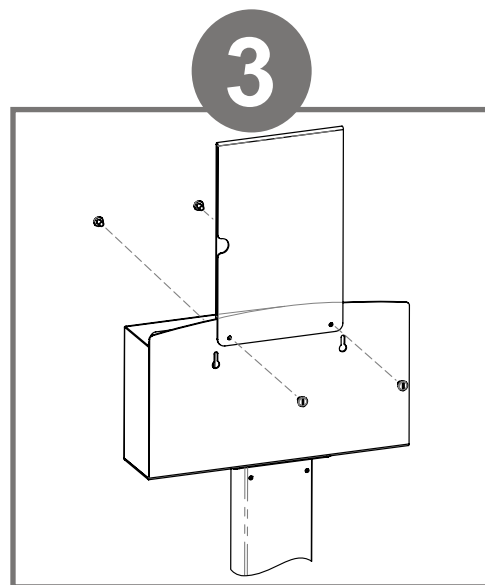
To mount a sign holder to a product with a lid, open the lid and install (2x) barrel screws included with sign holder. (FD-062 shown)



Holder overlaps front and back of companion product as shown.



To mount a sign holder on a product without a lid, sandwich the holder over the top edge of the product, lining up holes. Attach using (2x) barrel screws included with sign holder. (RS001-0212 shown)



Holder overlaps front and back of companion product as shown.

### Tools required:

- Phillips Screwdriver (to attach to base)
- Flathead Screwdriver (to attach sign holder)



## Advantage

### Designed for Long-Term Use

Dispensers and stands made of powder coated steel are both attractive and functional, providing years of service.

## Major Benefits

### *Durable*

Our powder coated steel dispensers and stands provide long-lasting products that hold up well in tough environments.

### *Cleaning*

The powder coated finish can be easily wiped clean with mild soap and water.

### *Strength*

Powder coated steel is ideal for dispensers used in a healthcare or an industrial setting. It is impact resistant and is not effected by extremes in temperature.

### *Appearance*

The clean, bright appearance of quartz powder coated steel looks attractive and provides a professional image in all environments.

