



RS001-0233 and MP-070 shown
(each sold separately)

Product Description:

- Floor Stand - Black
- Designed specifically for the Cherry Fauxwood BOWMAN® *Signature Series* Respiratory Hygiene Station, RS001-0233
- Column with square base and mounting top plate for companion product
- Hardware is included
- Made of black powder coated steel

Primary Area for Product Usage:

- Ports of entry: waiting rooms, lobbies, elevators
- Medical offices or clinics

Companion Product (sold separately):

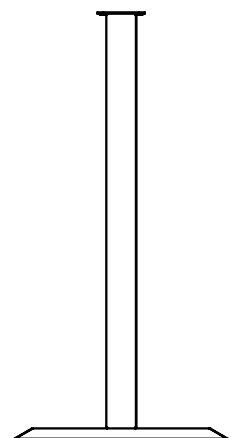
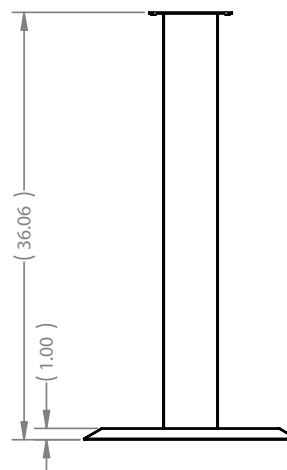
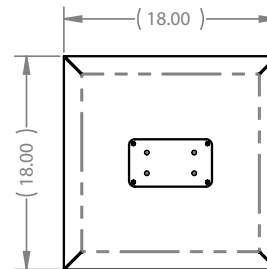
- Respiratory Hygiene Station, RS001-0233

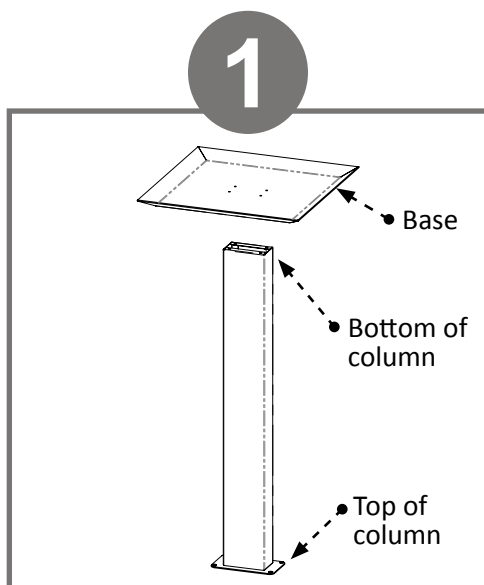
Package Specifications:

- Package Quantity: 1 per case
- 36"L x 20"W x 6"H (91.4 cm x 50.8 cm x 15.2 cm)
- 20.0 lbs (9.1 kg) - approximated

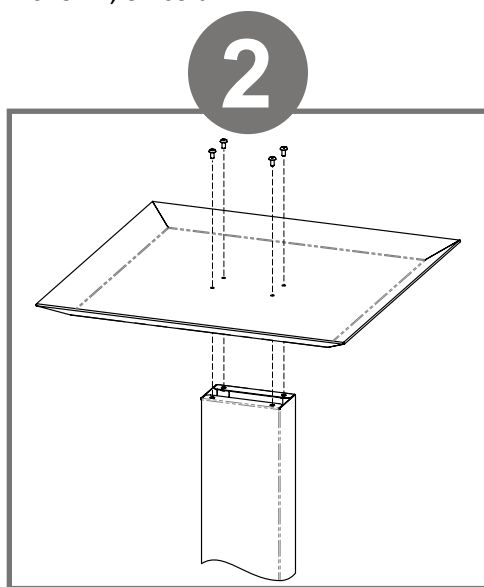
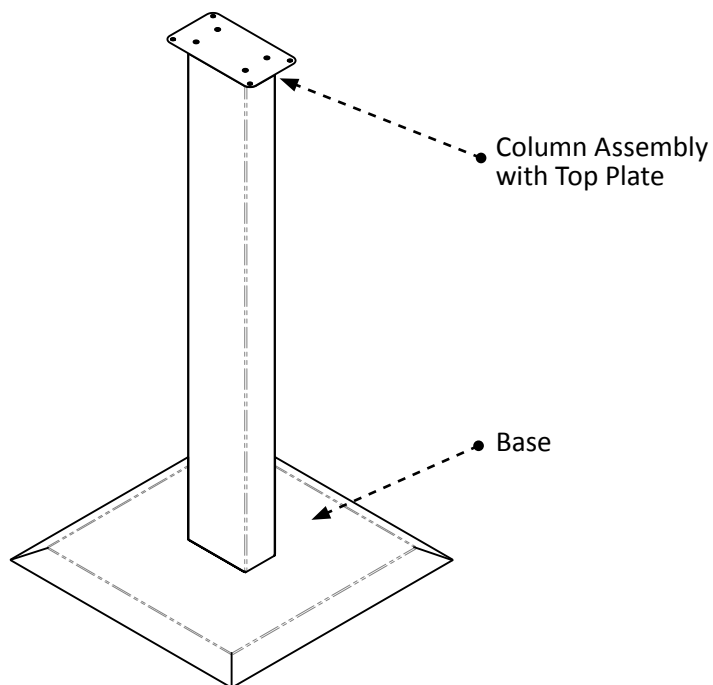
Product Specifications (overall external dimensions):

- 18.0"W x 36.1"H x 18.0"D (45.7 cm x 91.6 cm x 45.7 cm)
- 16.0 lbs (7.2 kg) - approximated

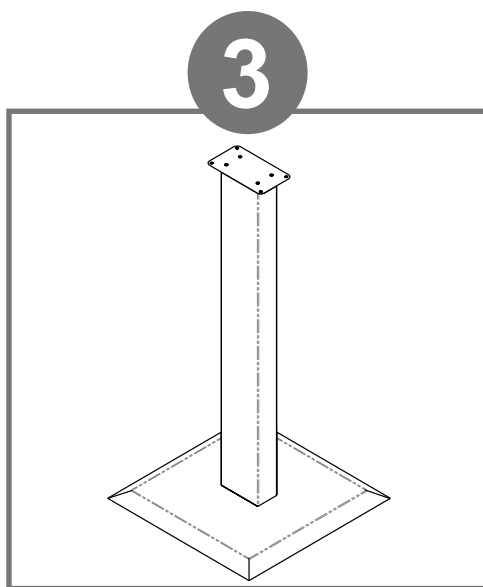




To secure base to column, turn column upside down (with top plate down) and place base inverted, as shown, on column.



Use a Phillips screwdriver to secure base to column with (4x) screws (10-32 x 5/16").



Turn stand right side up, so the base is on the floor.

Parts included:

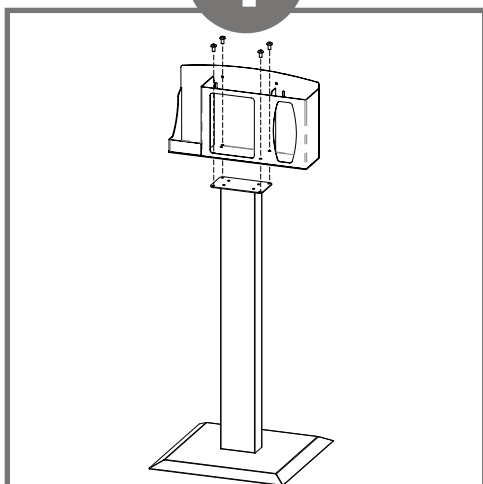
- Column
- Base
- Hardware
 - (8x) Screws: (4x) for stand, (4x) included to attach companion product (Phillips type 10-32 x 5/16")

Tools required:

- Phillips Screwdriver

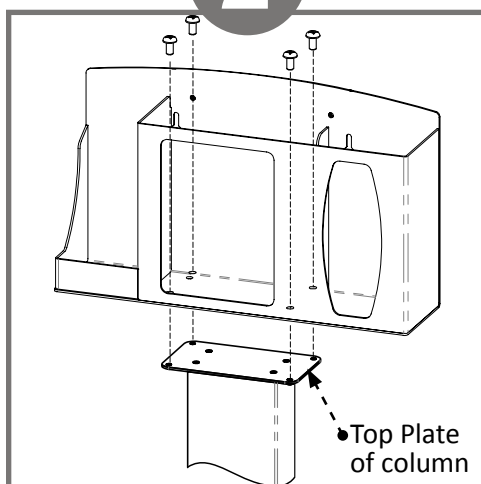


1



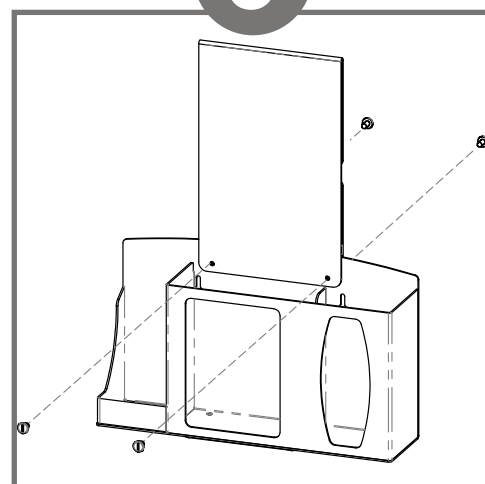
Mount the Respiratory Hygiene Station, RS001-0233, directly to the column of the floor stand.

2



Line up screwholes in the bottom of the dispenser with the screwholes in the top plate of the column and attach with (4x) screws included with the floor stand. Tighten.

3



To mount Sign Holder, MP-070 or MP-075, wrap the holder over the top edge of the product, lining up holes. Attach using (2x) barrel screws included with sign holder. (Sign Holder MP-070 shown)

Tools required:

- Phillips Screwdriver (to attach to base)
- Flathead Screwdriver (to attach sign holder)



Advantage

Designed for Long-Term Use

Dispensers and stands made of powder coated steel are both attractive and functional, providing years of service.

Major Benefits

Durable

Our powder coated steel dispensers and stands provide long-lasting products that hold up well in tough environments.

Cleaning

The powder coated finish can be easily wiped clean with mild soap and water.

Strength

Powder coated steel is ideal for dispensers used in a healthcare or an industrial setting. It is impact resistant and is not effected by extremes in temperature.

Appearance

The clean, lightly textured appearance of black powder coated steel looks attractive and provides a professional image in all environments.

