



RS001-0223 and MP-070 shown  
(each sold separately)

### Product Description:

- Floor Stand - White
- Designed specifically for the Maple Fauxwood BOWMAN® *Signature Series* Respiratory Hygiene Station, RS001-0223
- Column with square base and mounting top plate for companion product
- Hardware is included
- Made of white powder coated steel

### Primary Area for Product Usage:

- Ports of entry: waiting rooms, lobbies, elevators
- Medical offices or clinics

### Companion Product (sold separately):

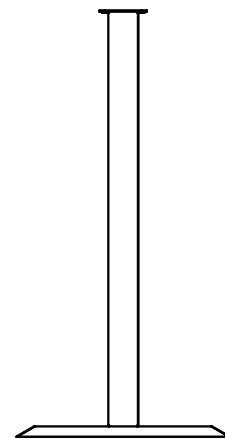
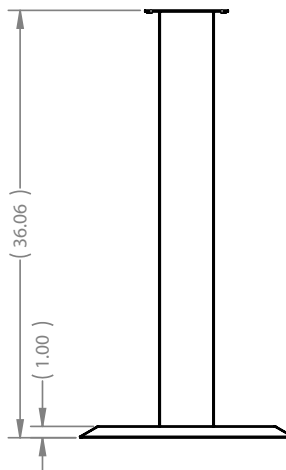
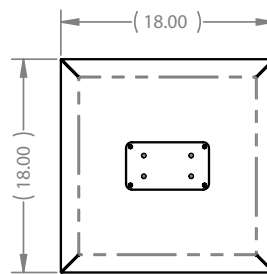
- Respiratory Hygiene Station, RS001-0223

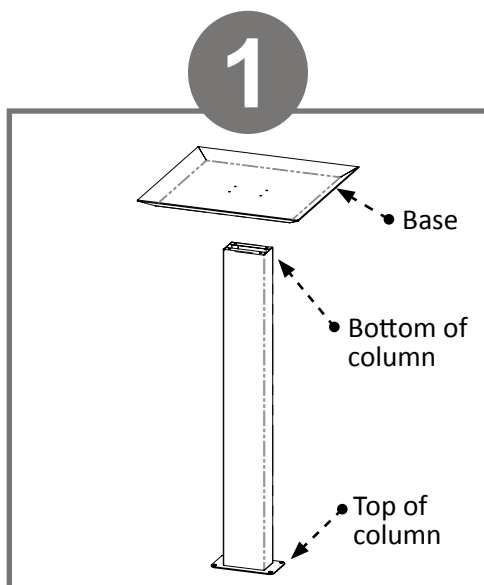
### Package Specifications:

- Package Quantity: 1 per case
- 36"L x 20"W x 6"H (91.4 cm x 50.8 cm x 15.2 cm)
- 20.0 lbs (9.1 kg) - approximated

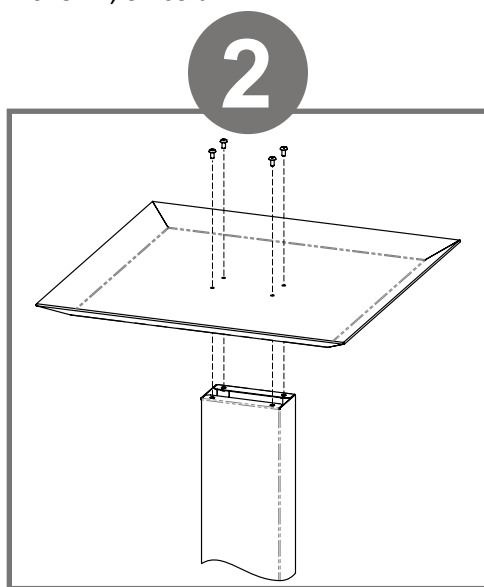
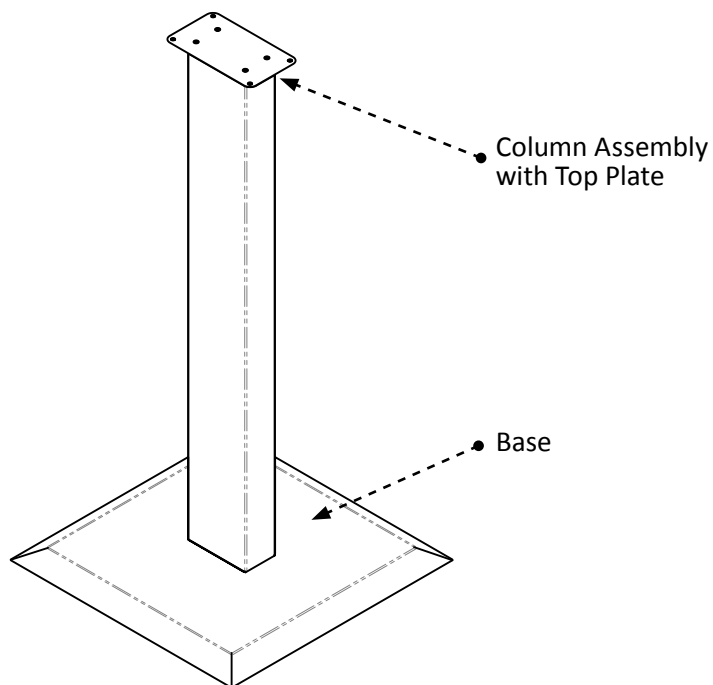
### Product Specifications (overall external dimensions):

- 18.0"W x 36.1"H x 18.0"D (45.7 cm x 91.6 cm x 45.7 cm)
- 16.0 lbs (7.2 kg) - approximated

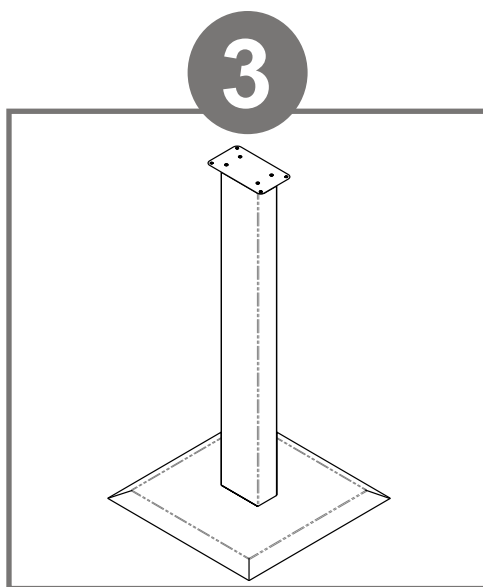




To secure base to column, turn column upside down (with top plate down) and place base inverted, as shown, on column.



Use a Phillips screwdriver to secure base to column with (4x) screws (10-32 x 5/16").



Turn stand right side up, so the base is on the floor.

### Parts included:

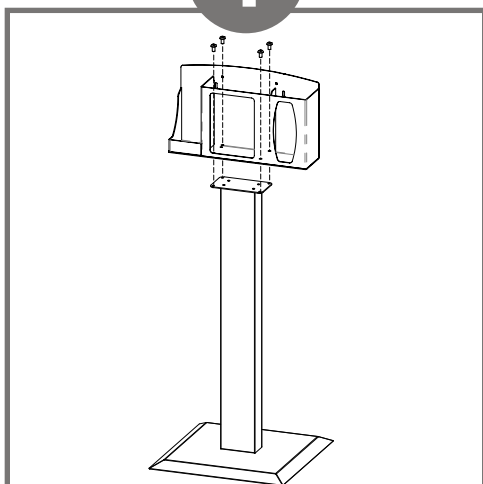
- Column
- Base
- Hardware
  - (8x) Screws: (4x) for stand, (4x) included to attach companion product (Phillips type 10-32 x 5/16")

### Tools required:

- Phillips Screwdriver

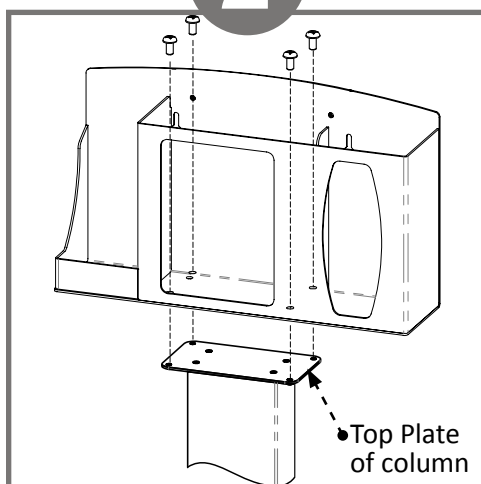


### 1



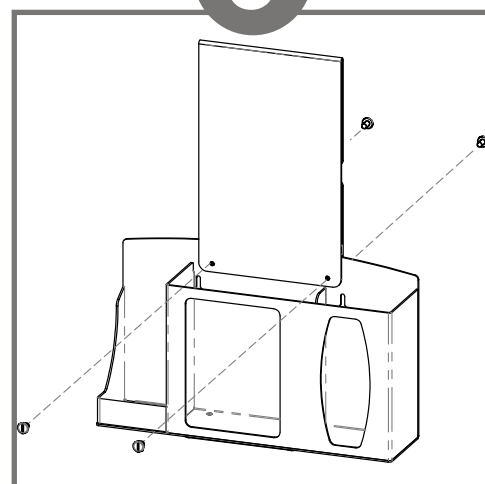
Mount the Respiratory Hygiene Station, RS001-0223, directly to the column of the floor stand.

### 2



Line up screwholes in the bottom of the dispenser with the screwholes in the top plate of the column and attach with (4x) screws included with the floor stand. Tighten.

### 3



To mount Sign Holder, MP-070 or MP-075, wrap the holder over the top edge of the product, lining up holes. Attach using (2x) barrel screws included with sign holder. (Sign Holder MP-070 shown)

### Tools required:

- Phillips Screwdriver (to attach to base)
- Flathead Screwdriver (to attach sign holder)



## Advantage

### Designed for Long-Term Use

Dispensers and stands made of powder coated steel are both attractive and functional, providing years of service.

## Major Benefits

### *Durable*

Our powder coated steel dispensers and stands provide long-lasting products that hold up well in tough environments.

### *Cleaning*

The powder coated finish can be easily wiped clean with mild soap and water.

### *Strength*

Powder coated steel is ideal for dispensers used in a healthcare or an industrial setting. It is impact resistant and is not effected by extremes in temperature.

### *Appearance*

The clean, bright appearance of white powder coated steel looks attractive and provides a professional image in all environments.

