

BOWMAN®



Dispensers

Hand Sanitizer Floor Stand KS101-0029



Shown with hand sanitizer (not included)

MADE
IN THE USA

* Imported

Product Description:

- Floor Stand with backplate
- Supports a variety of manufacturers' hand sanitizer, foam sanitizer, and hand lotion dispensers
- Ideal for dispensers which include an attached drip tray
- No tools required to assemble
- Self-righting base, up to 40 degrees past center (without dispenser)
- Bay Gray powder-coated metal back plate, column, and base
- Backplate - Made in U.S.A.
*Column and base - Imported

Primary Area for Product Usage:

- Ports of entry: waiting rooms, lobbies, elevators
- Medical offices or clinics

Companion Products (each sold separately):

- Infection Prevention Station, KS123-0529
- Sign Holder, SN003-0212

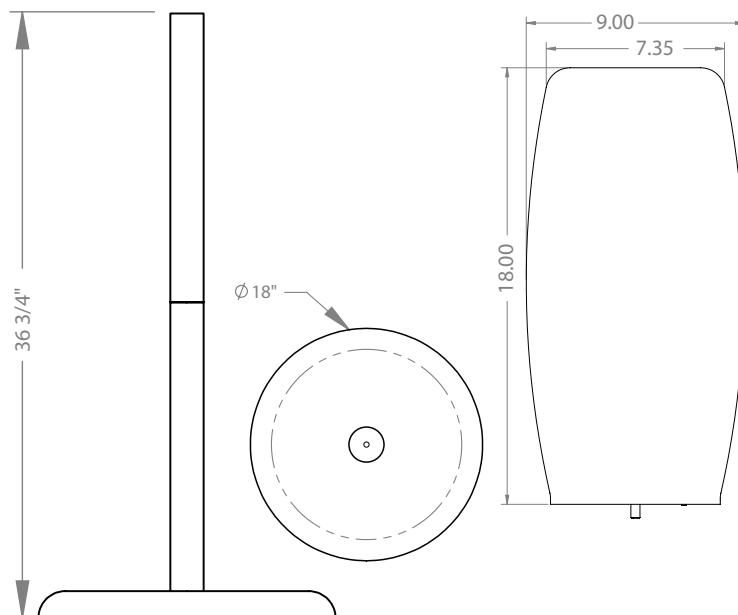
Package Specifications:

- 20" L x 4" W x 20" H (50.8 cm x 10.2 cm x 50.8 cm)
- 18.0 lbs (8.2 kg) - approximated

Product Specifications (overall external dimensions):

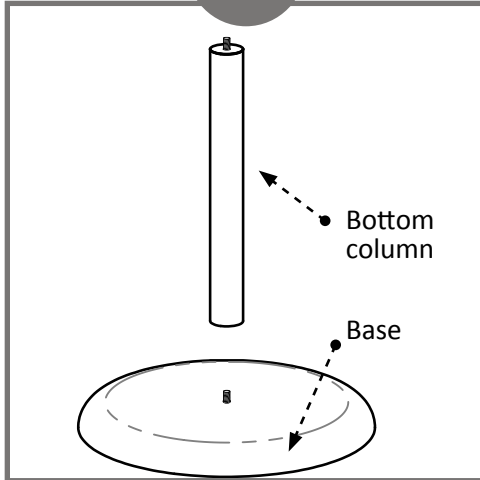
- 18.0" W x 54.7" H x 18.0" D (45.7 cm x 139.0 cm x 45.7 cm)
- 16.0 lbs (7.3 kg) - approximated

Mounting Specifications

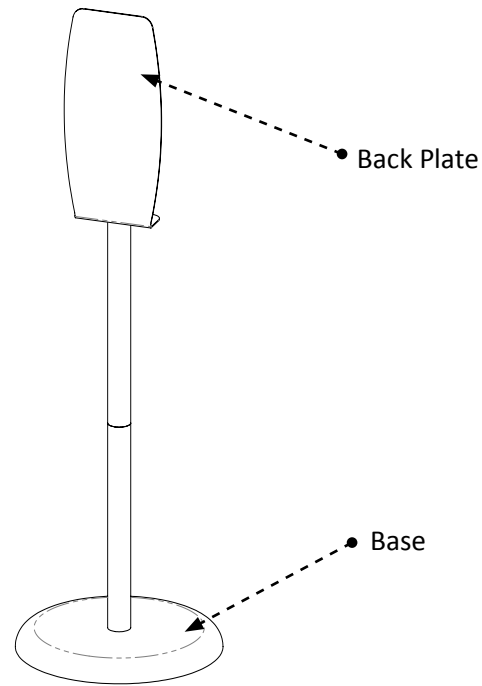




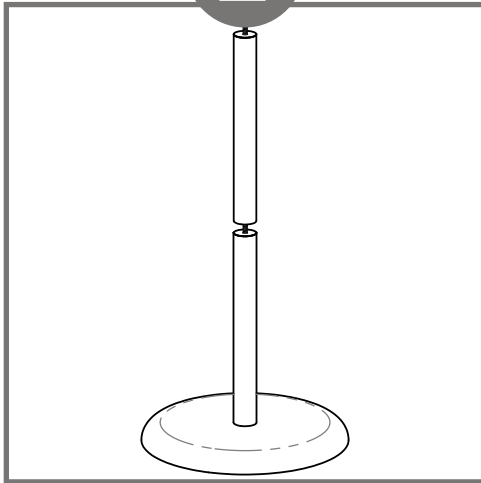
1



To secure base to column, place base on floor, line up threaded stud on base with threaded hole in pole. Turn pole clockwise until tight.

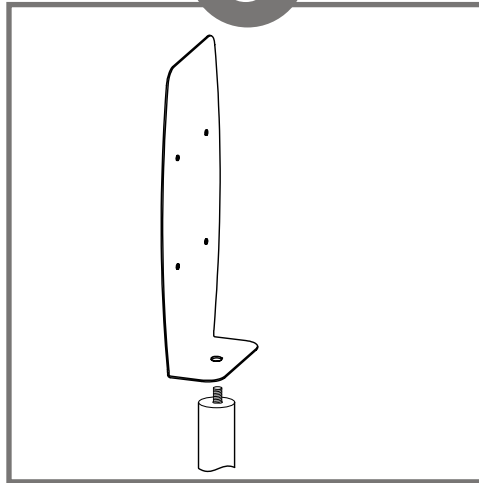


2



Screw the threaded hole of second pole section onto the stud in the top of the first section. Turn clockwise until tight.

3



Place hole in back plate over stud from second column section. Holding back plate upright, screw onto threaded stud.

Parts included:

- Base
- Column (2x)
- Back Plate

Tools required:

- No tools are required to assemble the stand and back plate



Advantage

Designed for Long-Term Use

Dispensers and stands made of powder coated steel are both attractive and functional, providing years of service.

Major Benefits

Durable

Our powder coated steel dispensers and stands provide long-lasting products that hold up well in tough environments.

Cleaning

The powder coated finish resists common chemicals and cleaning agents and can be easily wiped clean with soap and water.

Strength

Powder coated steel is ideal for dispensers used in a healthcare or an industrial setting. It is impact resistant and is not effected by extremes in temperature.

Appearance

The clean, neutral appearance of bay gray powder coated steel looks attractive and provides a professional image in all environments.

