



\* Imported

Shown with hand sanitizer and Sign Holder,  
SN003-0212 (each sold separately)

### Product Description:

- Floor Stand with backplate and drip tray
- Supports a variety of manufacturers' hand sanitizer, foam sanitizer, and hand lotion dispensers
- No tools required to assemble
- Self-righting base, up to 40 degrees past center (without dispenser)
- Bay Gray powder-coated metal back plate, column, and base
- Quartz ABS plastic drip tray
- Backplate and drip tray - Made in U.S.A.  
\*Column and base - Imported

### Primary Area for Product Usage:

- Ports of entry: waiting rooms, lobbies, elevators
- Medical offices or clinics

### Companion Products (each sold separately):

- Infection Prevention Station, KS123-0529
- Sign Holder, SN003-0212

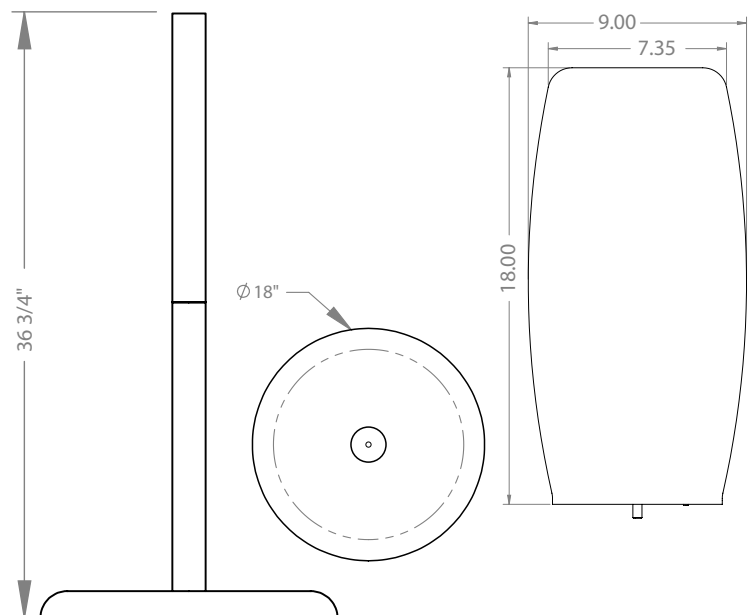
### Package Specifications:

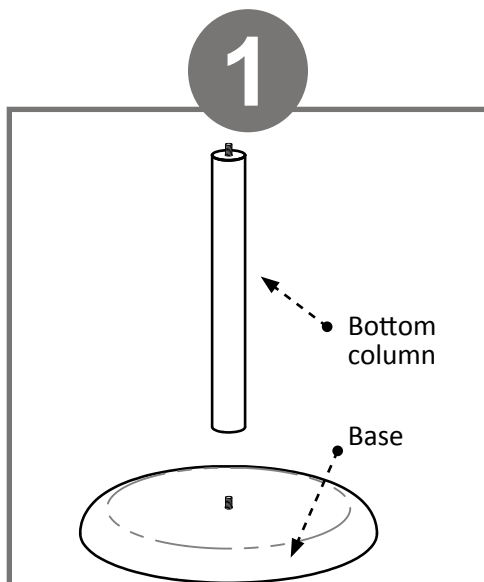
- 20"L x 4"W x 20"H (50.8 cm x 10.2 cm x 50.8 cm)
- 18.0 lbs (8.2 kg) - approximated

### Product Specifications (overall external dimensions):

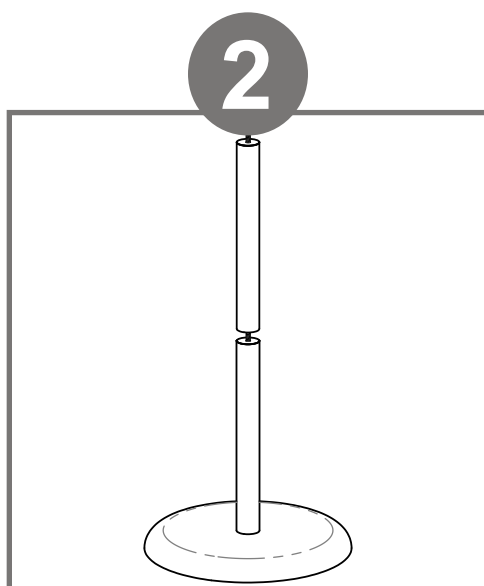
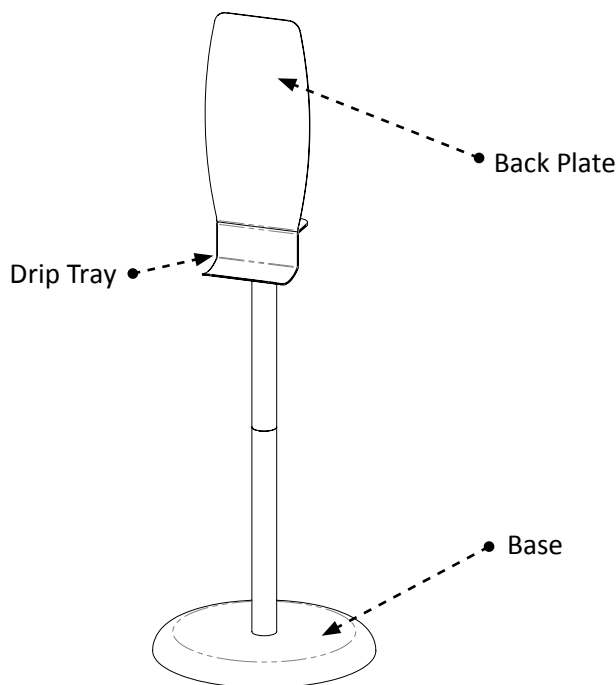
- 18.0"W x 54.7"H x 18.0"D (45.7 cm x 139.0 cm x 45.7 cm)
- 16.0 lbs (7.2 kg) - approximated

### Mounting Specifications

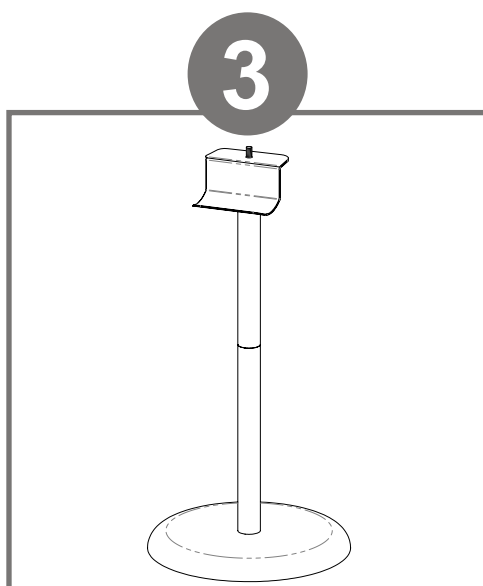




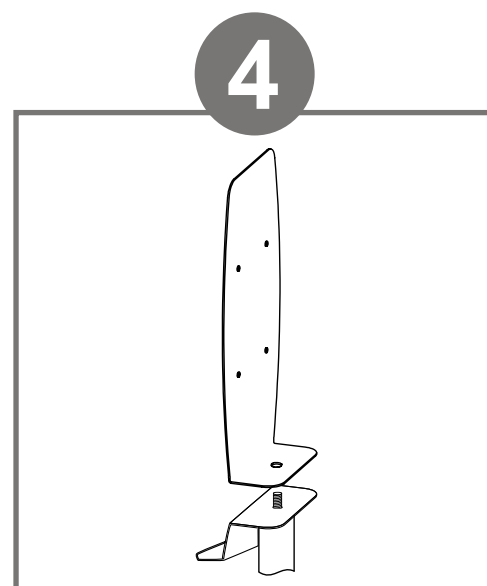
To secure base to column, place base on floor, line up threaded stud on base with threaded hole in pole. Turn pole clockwise until tight.



Screw the threaded hole of second pole section onto the stud in the top of the first section. Turn clockwise until tight.



Place hole in drip tray over stud from second column section. Holding back plate upright, screw onto threaded stud.



When attaching back plate, double check that drip tray is aligned with front of back plate as shown. Turn drip tray and back plate together for last few turns to tighten.

### Parts included:

- Base
- Column (2x)
- Drip Tray
- Back Plate

### Tools required:

- No tools are required to assemble the stand and back plate



## Advantage

### Designed for Long-Term Heavy-Duty Applications

The combination of copolymers (Acrylonitrile, Butadiene, and Styrene) gives ABS an excellent combination of strength, rigidity, and toughness.

## Major Benefits

### *Durable*

ABS is chemical and stress-crack resistant. It is tough, dimensionally stable, and will hold up to long-term use.

### *Cleaning*

Use mild soap and water to clean. Petroleum-based oils, solvents, and paints should not be used.

### *Strength*

ABS plastic possesses high strength and performance characteristics at a reasonable cost. These qualities make it perfect for a wide variety of applications, including medical and laboratory equipment.

### *Appearance*

The quartz, lightly textured finish has a clean, attractive look.



Drip tray is ABS plastic



## Advantage

### Designed for Long-Term Use

Dispensers and stands made of powder coated steel are both attractive and functional, providing years of service.

## Major Benefits

### *Durable*

Our powder coated steel dispensers and stands provide long-lasting products that hold up well in tough environments.

### *Cleaning*

The powder coated finish resists common chemicals and cleaning agents and can be easily wiped clean with soap and water.

### *Strength*

Powder coated steel is ideal for dispensers used in a healthcare or an industrial setting. It is impact resistant and is not effected by extremes in temperature.

### *Appearance*

The clean, neutral appearance of bay gray powder coated steel looks attractive and provides a professional image in all environments.



Base, column, and backplate are powder-coated steel