



Product Description:

- Infection Prevention Station
- Holds one box of face masks and one standard box of facial tissue
- Two-way keyholes for vertical or horizontal wall mounting
- Made of bay gray powder coated aluminum

Primary Area for Product Usage:

- Ports of entry, waiting rooms, lobbies, elevators
- Medical offices or clinics

Dispenses:

Most brand name boxes:

- 1 box of face masks up to 7.75"W x 4"H x 4.75"D (19.7 cm x 10.2 cm x 12.1 cm)
- 1 large or 2 small boxes of tissue up to 5.5"W x 10"H x 4.75"D (14.0 cm x 25.4 cm x 12.1 cm)

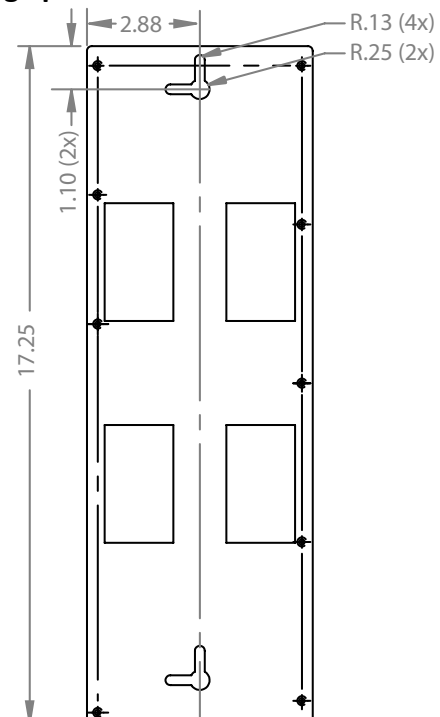
Package Specifications:

- Box 16"L x 12"W x 12"H (40.6 cm x 30.5 cm x 30.5 cm)
- Weight 5.0 lbs (2.3 kg) - approximated

Product Specifications (overall external dimensions):

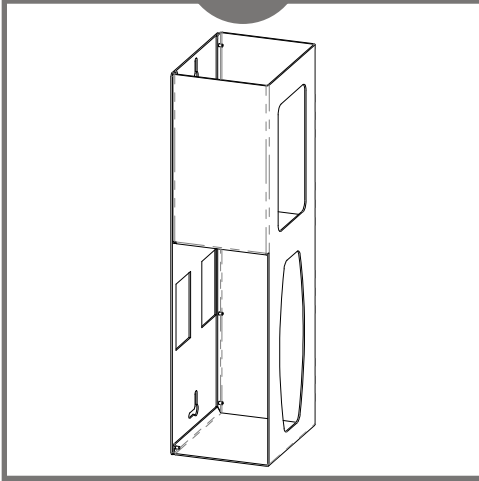
- 7.19"W x 15.13"H x 4.31"D (18.3 cm x 38.4 cm x 10.9 cm)
- 2.15 lbs (1.0 kg) - approximated

Mounting Specifications:

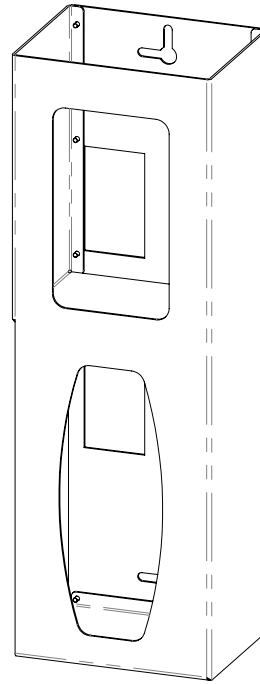




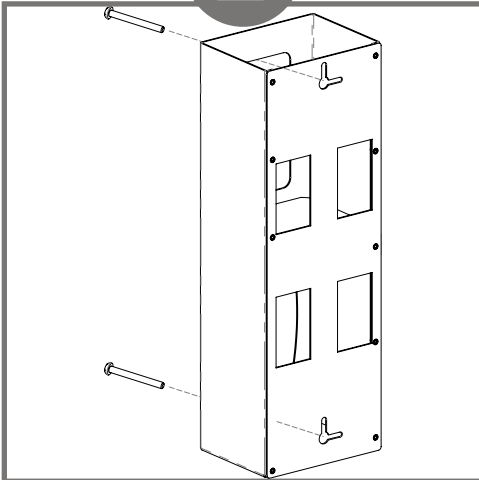
1



Facemasks conveniently load through the top; tissues through the side. Both products will dispense through front openings.



2



Dispenser should be mounted securely to a wall through keyholes in back with screws approved and provided by building maintenance.

Parts included:

- Dispenser

Tools required:

- No tools are required to assemble the dispenser



Advantage

Designed for Long-Term Use

Our aluminum dispensers and stands are coated with polyester triglycidyl isocyanurate (TGIC) powders, making them highly corrosion resistant. They are lightweight, attractive, and functional, providing years of service.

Major Benefits

Durable

Our powder coated aluminum dispensers resist corrosion, chips and flaking. This material will provide long-lasting products that hold up well in tough environments.

Cleaning

The semi-gloss powder coated finish resists mild chemicals and cleaning agents, such as Windex or glass cleaners. It should be cleaned with a damp cloth or mild soap and water. Scotch-Brite, steel wool or any abrasive products should not be used.

Strength

Powder coated aluminum is ideal for dispensers used in a healthcare or an industrial setting. It is impact resistant and is not effected by extremes in temperature.

Appearance

The clean, bright appearance of powder coated aluminum looks attractive and provides a professional image in all environments.

