

MADE IN THE USA

Shown mounted on KS102-0029 Floor Stand, with SN003-0212 Sign Holder (sold separately)

Product Description:

- Infection Prevention Station Sanitizer Stand Accessory
- Equipped to mount to Hand Sanitizer Floor Stand
- Holds one box of face masks and one box of facial tissue
- Includes very high bond tape for mounting to the Hand Sanitizer Stand Plus
- Made of bay gray powder coated aluminum

Primary Area for Product Usage:

- Ports of entry, waiting rooms, lobbies, elevators
- Medical offices or clinics

Dispenses:

Most brand name boxes:

- 1 box of face masks up to 7.75"W x 4"H x 4.75"D (19.7 cm x 10.2 cm x 12.1 cm)
- 1 large or 2 small boxes of tissue up to 5.5"W x 10"H x 4.75"D (14.0 cm x 25.4 cm x 12.1 cm)

Companion Products (each sold separately):

- KS102-0029 or KS101-0029 Hand Sanitizer Floor Stands
- Sign Holder, SN003-0212

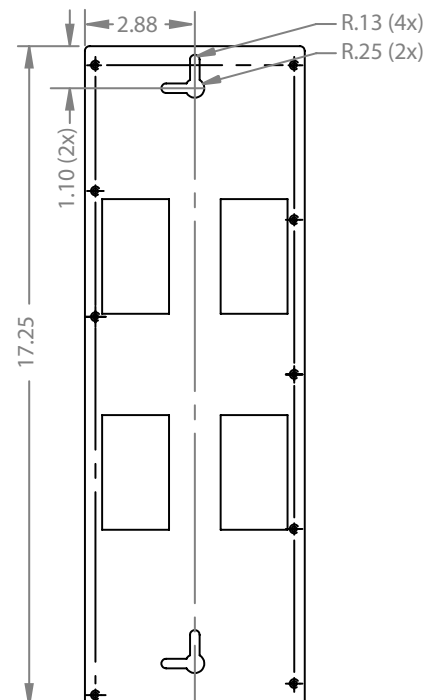
Package Specifications:

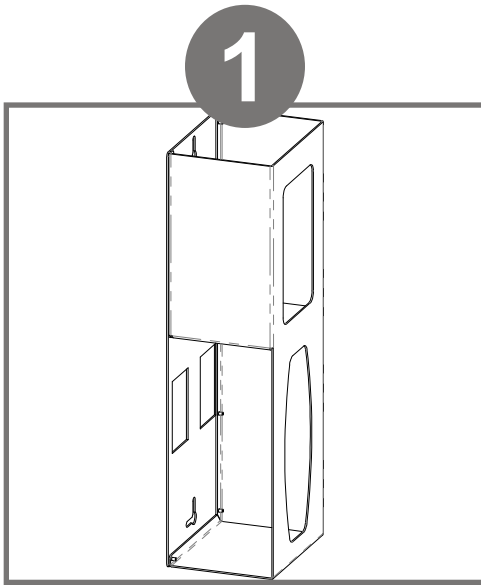
- Box 16"L x 12"W x 12"H (40.6 cm x 30.5 cm x 30.5 cm)
- Weight 5.0 lbs (2.3 kg) - approximated

Product Specifications (overall external dimensions):

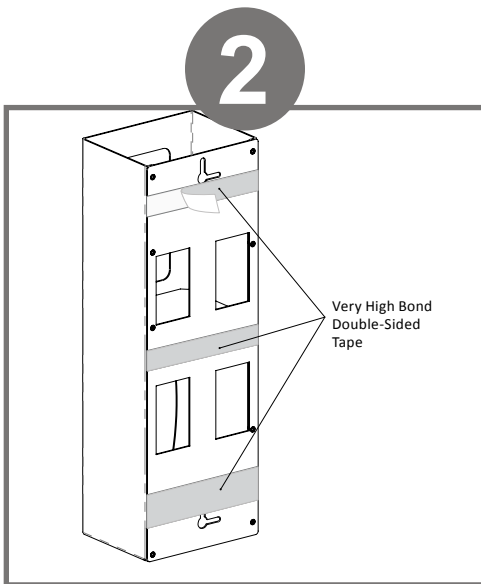
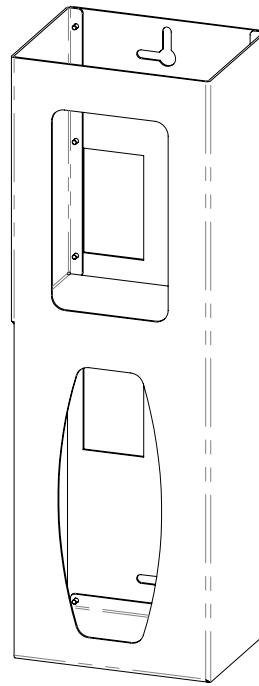
- 7.19"W x 15.13"H x 4.31"D (18.3 cm x 38.4 cm x 10.9 cm)
- 2.15 lbs (1.0 kg) - approximated

Mounting Specifications:

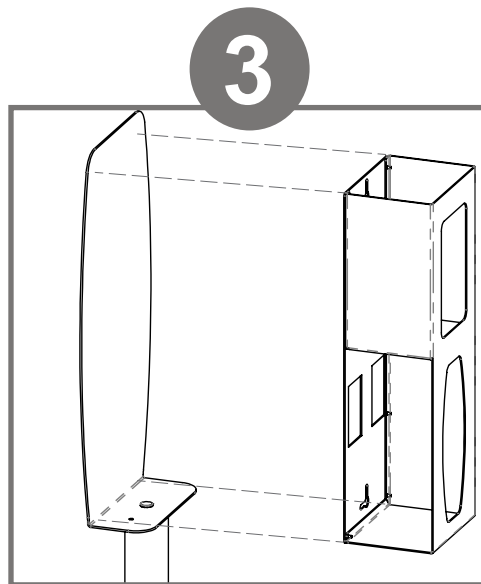




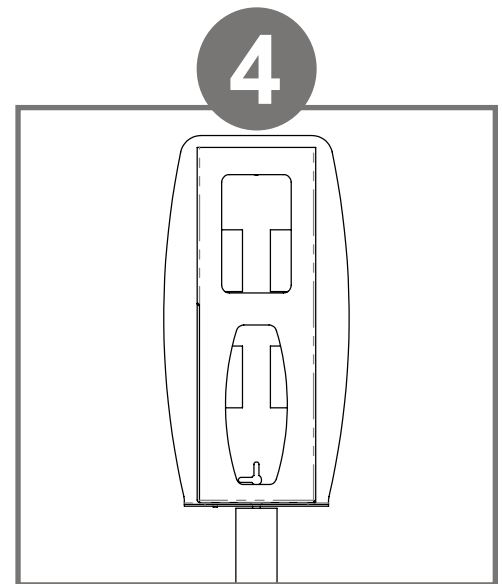
Facemasks conveniently load through the top; tissues through the side. Both products will dispense through front openings.



Peel the cover material from each of the three strips of double-sided tape.



Line up the back and bottom of the dispenser with the L-shape of the KS201 (sold separately) backplate and press firmly into place.



Finished product should display centered on the backplate as shown above.

Parts included:

- Dispenser
- Very high bond double-sided tape is affixed to back of dispenser

Tools required:

- No tools are needed to assemble the dispenser



Advantage

Designed for Long-Term Use

Our aluminum dispensers and stands are coated with polyester triglycidyl isocyanurate (TGIC) powders, making them highly corrosion resistant. They are lightweight, attractive, and functional, providing years of service.

Major Benefits

Durable

Our powder coated aluminum dispensers resist corrosion, chipping, and flaking. This material will provide long-lasting products that hold up well, even in tough environments.

Cleaning

The semi-gloss powder coated finish resists mild chemicals and cleaning agents, such as Windex or glass cleaners. It should be cleaned with a damp cloth or mild soap and water. Scotch-Brite, steel wool or any abrasive products should not be used.

Strength

Powder coated aluminum is ideal for dispensers used in a healthcare or industrial settings. It is impact resistant and is not affected by extremes in temperature.

Appearance

The clean, bright appearance of powder coated aluminum looks attractive and provides a professional image in all environments.

