

Product Description:

- Sign holder for FM001-0213
- Holds 8.5" x 11" signage vertically
- No hardware required, sits in groove across front of FM001-0213 lid
- Made of clear PETG plastic

Primary Area for Product Usage:

- Patient dental care areas: clinics, dental labs, oral surgery rooms

Dispenses:

- Holds letter sized signage vertically
- A variety of signs can be downloaded free of charge at www.BowmanDispensers.com

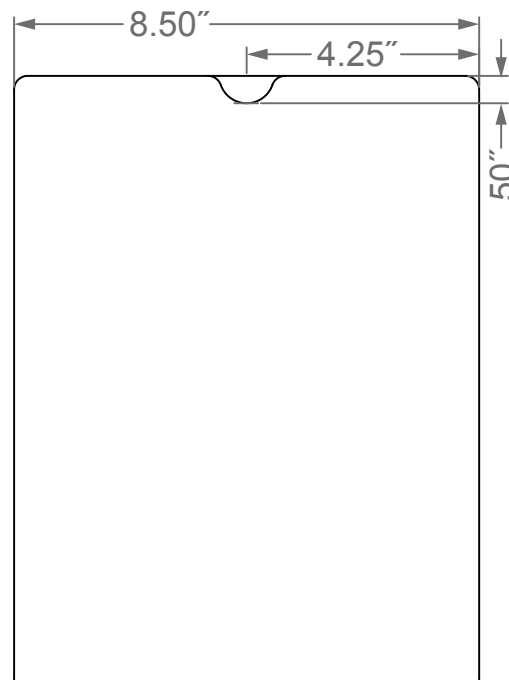
Package Specifications:

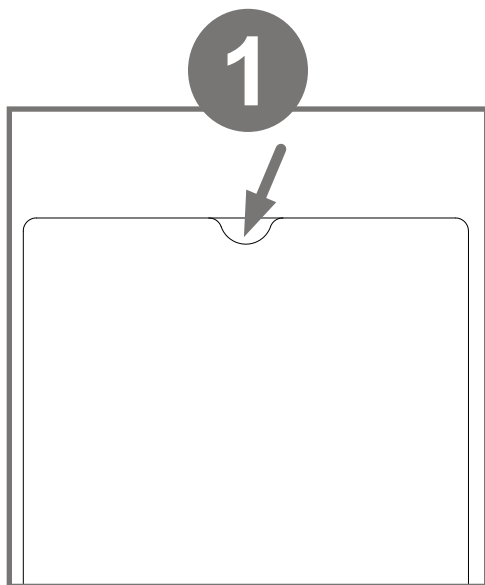
- Package Quantity: 12 per case
- 12"L x 9"W x 10"H (30.5 cm x 22.9 cm x 25.4 cm)
- 11.0 lbs (5.0 kg) - approximated

Product Specifications (overall external dimensions):

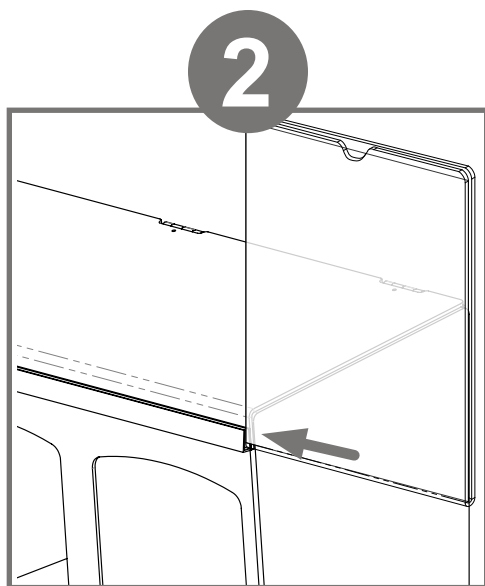
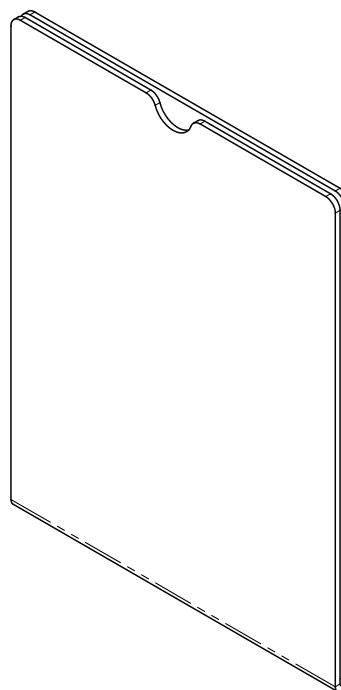
- 8.5"W x 11.2"H x 0.4"D (21.6 cm x 28.4 cm x 1.0 cm)
- 0.9 lbs (0.4 kg) - approximated

Mounting Specifications:

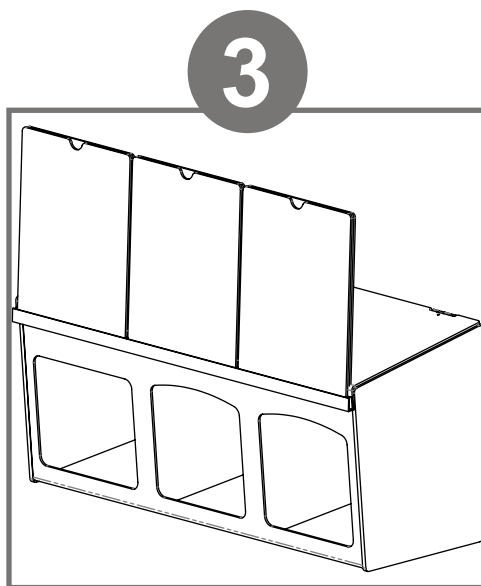




Thumb-notch makes slipping signage in and out of the holder quick and easy.



Sign holders slide into groove at the front of the FM001-0213 (Face Mask Dispenser - Surgical with Dividers) lid.



A total of three sign holders will fit into the lid of the FM001-0213 (sold separately).

Parts included:

- (1) Sign holder

Tools required:

- No tools are required for assembly of the sign holders



Advantage

Designed for Long-Term Heavy-Duty Applications

Copolyester resin is designed for heavy-duty applications, and is used by Bowman® Dispensers exclusively.

Major Benefits

Toughness

Copolyester (PETG) is typically 15-20 times tougher than general purpose acrylic. PETG is made to withstand handling and reduce losses due to breakage.

Chemical Resistance

PETG resists a variety of chemicals and commonly used cleaning agents, such as PDI wipes.

Impact Strength

PETG is tough and durable (not brittle), providing years of trouble-free functionality and long life.

Clarity and Gloss

PETG looks good and makes an attractive display. Clear optical characteristics mean the viewer can see the content, read text, and see true colors through the material. Complies with FDA regulations for food contact.

Easy to Clean

Most cleaning chemicals do not weaken the surface or cause damage to the material. Suggested cleaning method is to use a soft cloth, warm water, and mild soap.

