



Product Description:

- Protection Dispenser - TIDI Custom
- TIDI Tower™ Dispenser with TIDIShield® Grab 'n Go™
- Keyholes for wall mounting
- Made of Clear PETG Plastic

Primary Area for Product Usage:

- Emergency rooms, operating rooms, labor and delivery, and burn units

Dispenses:

- Fits pre-assembled eye shields: #9210A-100
5.80"W x 13.00"H x 7.20"D (14.7 cm x 33.0 cm x 18.3 cm)

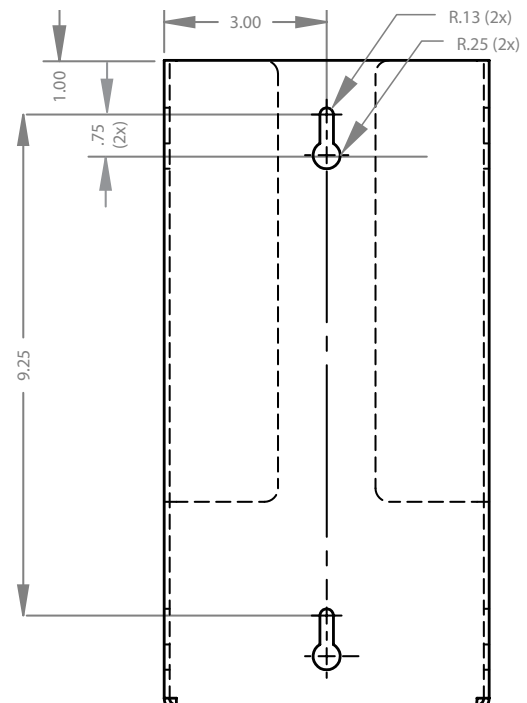
Package Specifications:

- Package Quantity: 2
- 14"L x 12"W x 9"H (35.6 cm x 30.5 cm x 22.9 cm)
- 5.0 lbs (2.3 kg) - approximated

Product Specifications (overall external dimensions):

- 6.00"W x 12.00"H x 7.40"D (15.2 cm x 30.5 cm x 18.8 cm)
- 1.35 lbs (0.6 kg) - approximated

Mounting Specifications:



Advantage

Designed for Long-Term Heavy-Duty Applications

Copolyester resin is designed for heavy-duty applications, and is used by Bowman® Dispensers exclusively.

Major Benefits

Toughness

Copolyester (PETG) is typically 15-20 times tougher than general purpose acrylic. PETG is made to withstand handling and reduce losses due to breakage.

Chemical Resistance

PETG resists a variety of chemicals and commonly used cleaning agents. Suggested cleaning with a soft cloth, warm water, and mild soap.

Impact Strength

PETG is tough and durable (not brittle), providing years of trouble-free functionality and long life.

Clarity and Gloss

PETG looks good and makes an attractive display. Clear optical characteristics mean the viewer can see the content, read text, and see true colors through the material. Complies with FDA regulations for food contact.

Easy to Clean

Most cleaning chemicals do not weaken the surface or cause damage to the material.

