



MADE IN THE USA
PATENT PENDING

Alternative Products (each sold separately):

- PD200-0212, Protection Dispenser - Large - Universal Boxed
- PD300-0212, Protection Dispenser - Universal Boxed



PD200-0212



PD300-0212

Product Description:

- Protection Dispenser - Universal Boxed
- Dispenses Shoe Covers/Wipes/Caps/Other
- Holds over 50 different boxes of bouffant and surgeons caps, along with shoe dispensers from all major manufacturers
- Keyholes for wall mounting
- Made of Quartz Beige ABS Plastic

Primary Area for Product Usage:

- Patient care areas: O.R. dressing rooms, surgery centers, labs, interventional radiology, ICU, clinics
- Any location where PPE supplies are used for isolation and staff protection

Dispenses:

Most major manufacturers' standard size boxed shoe covers and surgical caps:

- Boxes no larger than 12.00"W x 10.00"H x 7.38"D (30.5 cm x 25.4 cm x 18.7 cm)
- Boxes no smaller than 9.13"W x 10.00"H x 5.00"D (23.2 cm x 25.4 cm x 12.7 cm)

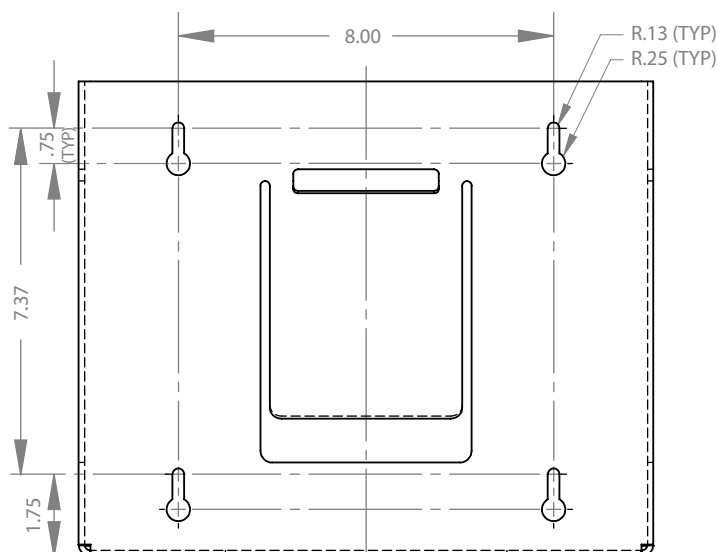
Package Specifications:

- Package Quantity: 4 per case
- 20"L x 16"W x 12"H (50.8 cm x 40.6 cm x 30.5 cm)
- 9.0 lbs (4.1 kg) - approximated

Product Specifications (overall external dimensions):

- 12.25"W x 10.13"H x 7.63"D (31.1 cm x 25.7 cm x 19.4 cm)
- 1.80 lbs (0.8 kg) - approximated

Mounting Specifications:

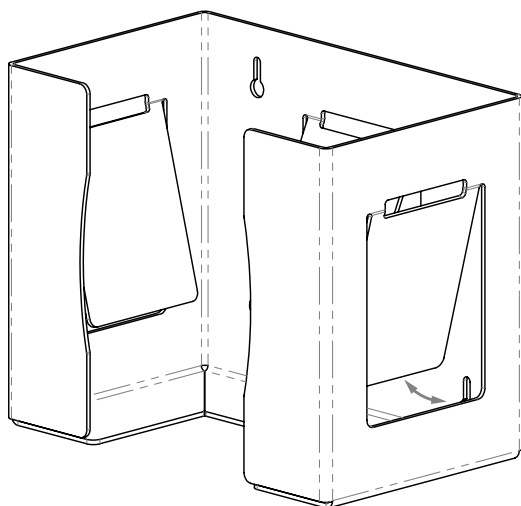




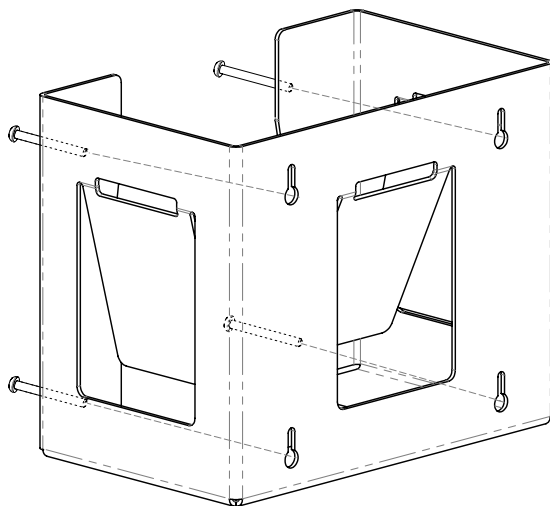
Installation

Always mount dispensers securely *prior* to loading with product.

- Spring design provides secure fit for a wide assortment of boxed products.
- Open configuration allows dispensing of product through top or front.



- Mount securely to a wall with screws approved and supplied by building maintenance.



Parts included:

- Dispenser

Tools Required:

- No tools required to assemble dispenser

Care and Construction

ABS Plastic

Material Characteristics

Designed for Long-Term, Heavy-Duty Applications

The combination of copolymers (Acrylonitrile, Butadiene, and Styrene) gives ABS an excellent combination of strength, rigidity, and toughness.

ABS is chemical, stress-crack resistant, dimensionally stable, and will hold up to long-term use. It possesses high strength and performance characteristics at a reasonable cost.

Care and Cleaning

Use mild soap and water to clean. Petroleum-based oils, solvents, and paints should not be used.

Standard hospital cleaning supplies are approved for use on our ABS plastic products.