



Mounted vertically



**MADE IN THE USA**  
PATENT PENDING

### Product Description:

- Protection Dispenser - Universal Boxed
- Dispenses Shoe Covers/Caps/Other
- Holds a variety of boxed bouffant caps, surgeons' caps, and shoe covers from many major manufacturers
- Three-way keyholes for wall mounting horizontally or vertically
- Made of Quartz Beige ABS Plastic

### Primary Area for Product Usage:

- Patient care areas: OR dressing rooms, surgery centers, labs, interventional radiology, ICU, clinics

### Dispenses:

Many sizes of boxed protection apparel:

- Boxes no larger than 13.45"W x 12.00"H x 6.70"D (34.2 cm x 30.5 cm x 17.0 cm)
- Boxes no smaller than 11.25"W x 4.00"H x 5.25"D (28.6 cm x 10.2 cm x 13.3 cm)

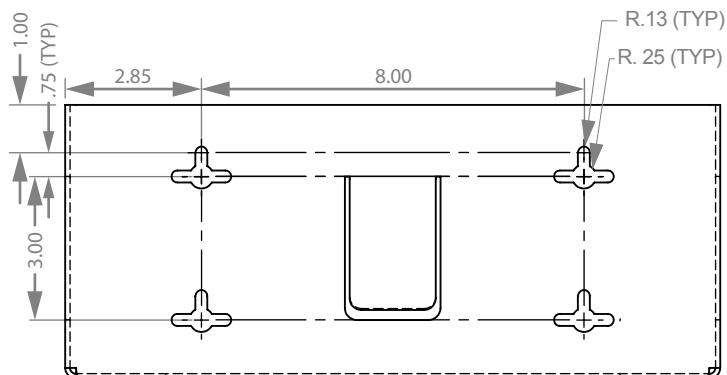
### Package Specifications:

- Package Quantity: 4 per case
- 18"L x 16"W x 10"H (45.7 cm x 40.6 cm x 25.4 cm)
- 6.0 lbs (2.7 kg) - approximated

### Product Specifications (overall external dimensions):

- 13.70"W x 5.73"H x 6.95"D (34.8 cm x 14.6 cm x 17.7 cm)
- 1.0 lbs (0.5 kg) - approximated

### Mounting Specifications:



### Alternative Products (each sold separately):

- PD100-0212, Protection Dispenser - Universal Boxed
- PD200-0212, Protection Dispenser - Universal Boxed



PD100-0212

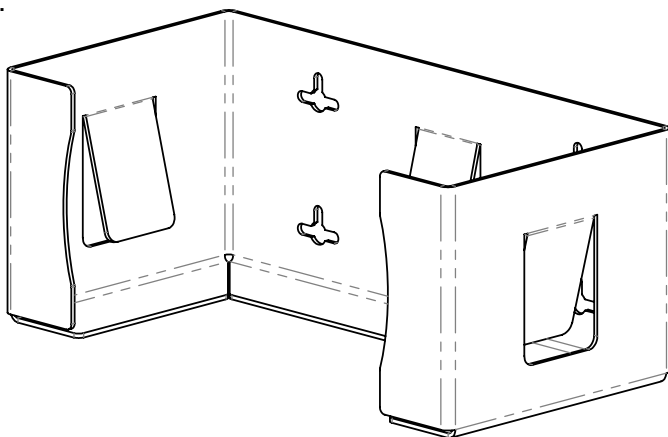
PD200-0212



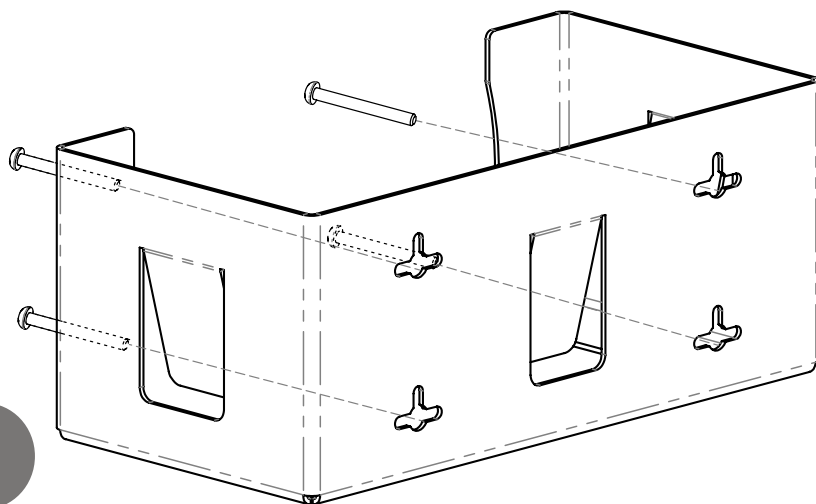
### Installation

Always mount dispensers securely *prior* to loading with product.

- Spring design provides secure fit for a wide assortment of boxed products.
- Open configuration allows dispensing of product through top or front.
- Three-way keyhole design enables dispenser to be mounted either horizontally or vertically (to load from the right or left side) to accommodate confined spaces.
- Note: boxes exceeding the height of the dispenser should only be mounted horizontally.



- Mount securely to a wall with screws approved and supplied by building maintenance.



#### Parts included:

- Dispenser

#### Tools Required:

- No tools required to assemble dispenser

### Care and Construction

ABS Plastic

#### Material Characteristics

#### Designed for Long-Term, Heavy-Duty Applications

The combination of copolymers (Acrylonitrile, Butadiene, and Styrene) gives ABS an excellent combination of strength, rigidity, and toughness.

ABS is chemical, stress-crack resistant, dimensionally stable, and will hold up to long-term use. It possesses high strength and performance characteristics at a reasonable cost.

#### Care and Cleaning

Use mild soap and water to clean. Petroleum-based oils, solvents, and paints should not be used.

Standard hospital cleaning supplies are approved for use on our ABS plastic products.