

Above: Shown with Sign Holder, MP-047 (sold separately)  
Below: Using shelf feature for medical supplies



### Product Description:

- Protection System
- Holds a variety of gowns, three boxes of gloves, one box of earloop-style face masks, one box of shield-style face masks, and built-in storage area (for a variety of medical supplies, fourth box of gloves, or N-95 face masks)
- Keyholes for wall mounting or may be used with a BOWMAN® door or wall hanger
- BOWMAN® Signature Series - Made of Cherry Fauxwood ABS plastic (also available in Maple Fauxwood ABS plastic, PS016-0223)

### Primary Area for Product Usage:

- All patient care areas requiring personal protective equipment and isolation supplies, including oncology clinics, dialysis centers and clinic exam areas

### Dispenses:

- Top left section: Gowns folded up to 14.9"W x 4.5"D
- Top right section: One box of shield-style face masks up to 8.1"W x 9.9"H x 4.5"D
- Middle right section: One box of earloop-style face masks up to 8.0"W x 5.3"H x 4.5"D
- Four bottom sections: Four glove boxes up to 11.5"W x 5.5"H x 4.5"D, or three glove boxes and miscellaneous medical supplies in bottom right

### Accessories (sold separately):

- Sign Holder MP-047
- BOWMAN® door and wall hangers MB-450, MB-500, MB-510, and MB-600

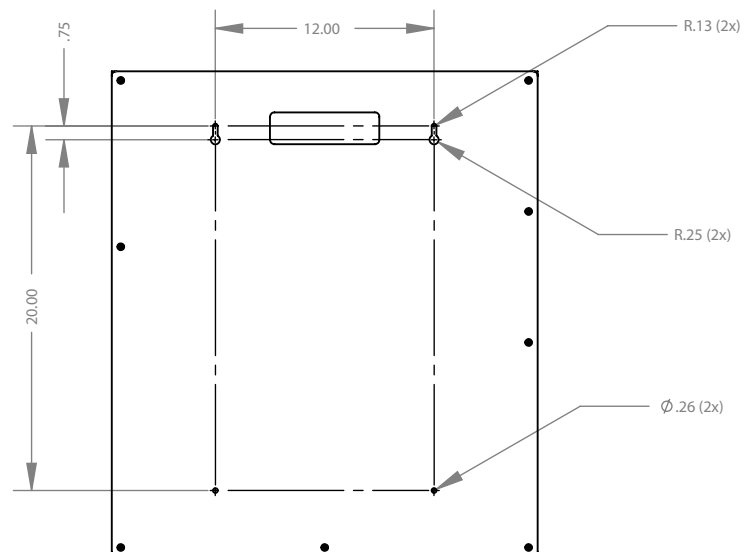
### Package Specifications:

- 27"L x 8"W x 32"H (68.6 cm x 20.3 cm x 81.3 cm)
- 12 lbs (5.4 kg) - approximated

### Product Specifications (overall external dimensions):

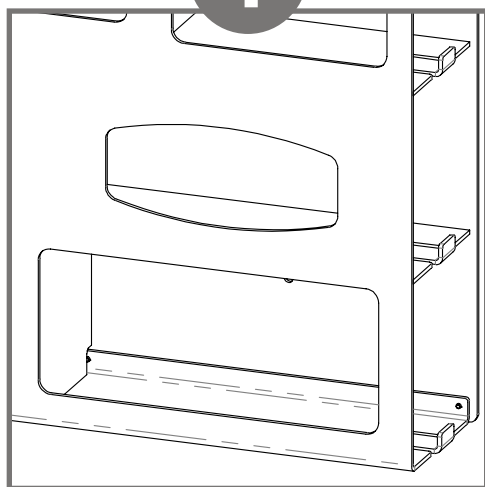
- 23.38"W x 26.63"H x 4.75"D (59.4 cm x 67.6 cm x 12.1 cm)
- 7.8 lbs (3.5 kg) - approximated

### Mounting Specifications:

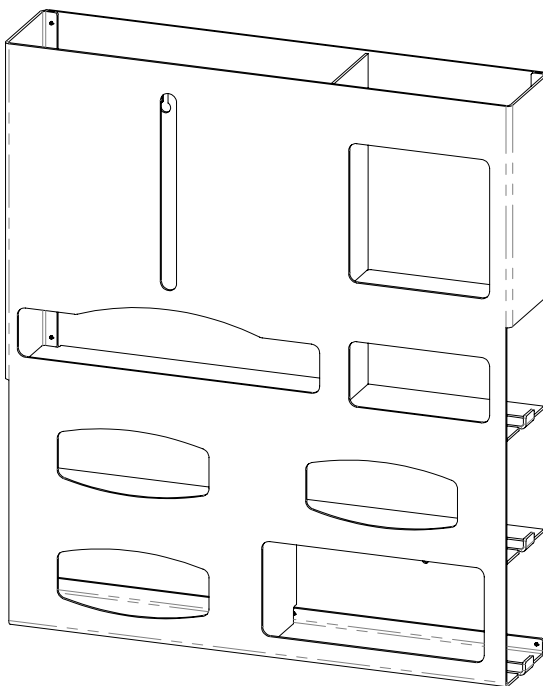




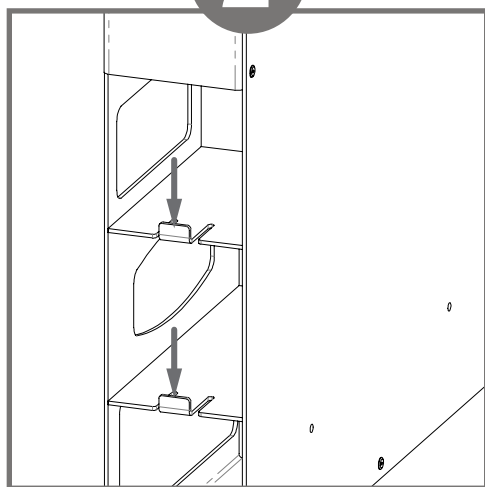
# 1



Open section at lower right can be used to store a variety of boxed or loose medical supplies.

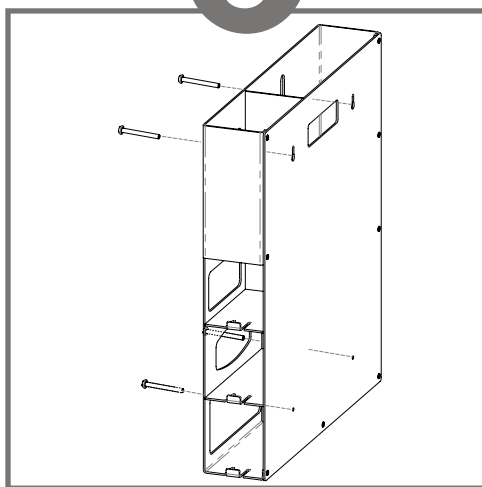


# 2



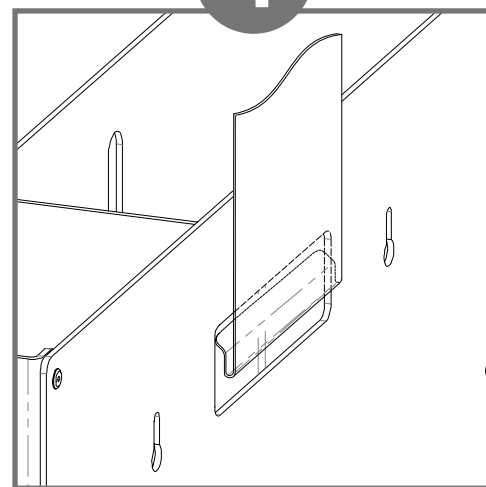
The flexible tabs on the side are designed to hold product securely in the dispenser. To add or remove product, press down on the tab and pull box out.

# 3



Dispenser should be mounted securely to a wall through keyholes in back with screws approved and provided by building maintenance.

# 4



Alternatively, dispenser can be attached to a surface by hanging on a BOWMAN® door or wall hanger (sold separately) through the cut-out on the back of the dispenser.

### Parts included:

- Protection system

### Tools required:

- No tools required to assemble system



## Advantage

### Designed for Long-Term Heavy-Duty Applications

The combination of copolymers (Acrylonitrile, Butadiene, and Styrene) gives ABS an excellent combination of strength, rigidity, and toughness. The fauxwood finish is ARVINYL laminate created from a semi-rigid film.

## Major Benefits

### *Durable*

ABS is chemical and stress-crack resistant. It is tough, dimensionally stable, and will hold up to long-term use. To ensure product longevity, fauxwood products should not be mounted in very hot or cold areas.

### *Cleaning*

BOWMAN® *Signature Series* products can be cleaned with standard hospital cleaning products. Petroleum-based oils, solvents, and paints should not be used.

### *Strength*

ABS plastic possesses high strength and performance characteristics at a reasonable cost. These qualities make it perfect for a wide variety of applications, including medical and laboratory equipment.

### *Appearance*

Our fauxwood material is engineered to have a natural grain appearance both in Cherry and Maple finishes. The two color choices provide a visually appealing, upscale option to any area.

