



Product Description:

- Protection System
- Holds flat-pack or launderable gowns, three boxes of gloves, and one box of earloop face masks
- Keyholes and screw holes for wall mounting, or door hanger cutout for use with wall or door hanger
- Quartz Beige Powder-Coated Aluminum

Primary Area for Product Usage:

- All patient care areas requiring personal protective equipment and isolation supplies, including oncology clinics, dialysis centers and clinic exam areas

Dispenses:

- Top sections: three boxes of gloves - fits most brands up to 9.85"W x 5.13"H x 4.50"D (25.4 cm x 13.0 cm x 11.4 cm)
- Lower left area for flat pack gowns
- Lower right: one box of earloop face masks, vertically, up to 4.75"W x 8.00"H x 4.14"D (12.1 cm x 20.3 cm x 10.5 cm)

Accessories (sold separately):

- BOWMAN® Door and Wall Hangers: MB-450, MB-500, MB-510, MB-600, and MB-601
- Clip-On Caddy Dispensers: MP-015 and MP-085

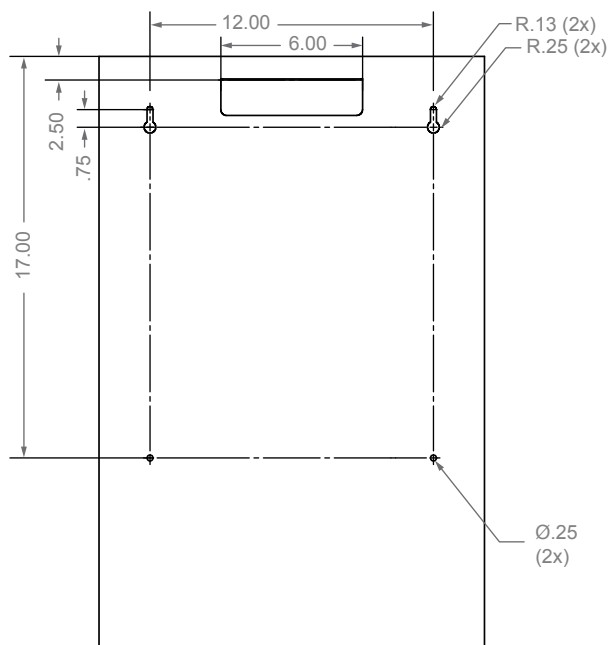
Package Specifications:

- 18"L x 6"W x 29"H (45.7 cm x 15.2 cm x 73.7 cm)
- 8.0 lbs (3.6 kg) - approximated

Product Specifications (overall external dimensions):

- 16.48"W x 25.18"H x 4.35"D (41.8 cm x 63.9 cm x 11.0 cm)
- 5.9 lbs (2.7 kg) - approximated

Mounting Specifications:





Advantage

Designed for Long-Term Use

Our aluminum dispensers and stands are coated with polyester triglycidyl isocyanurate (TGIC) powders, making them highly corrosion resistant. They are lightweight, attractive, functional and provide years of service.

Major Benefits

Durable

Our powder-coated aluminum dispensers resist corrosion, chipping, and flaking. This material will provide long-lasting products that hold up well, even in tough environments.

Cleaning

The semi-gloss powder-coated finish resists mild chemicals and cleaning agents, such as Windex or glass cleaners. Standard hospital cleaning supplies are approved for use on our powder-coated products or can be cleaned with a damp cloth or mild soap and water. Scotch-Brite, steel wool or any abrasive products should not be used.

Strength

Powder-coated aluminum is ideal for dispensers used in a healthcare or industrial settings. It is impact resistant and is not affected by extremes in temperature.

Appearance

The clean, bright appearance of powder-coated aluminum looks attractive and provides a professional image in all environments.

