



Product Description:

- Protection System - Surgical
- Holds a variety of protective apparel in two compartments, three boxes of gloves, and one box of face masks
- Hinged lid over bulk compartments
- Keyholes for wall mounting, or door hanger cutout for use with wall or door hanger
- Made of Quartz Beige Powder-Coated Aluminum

Primary Area for Product Usage:

- Primary care areas for infection control: O.R. dressing rooms, surgery centers, labs, dental centers, interventional radiology

Dispenses:

- Two bins: Holds miscellaneous bulk product, such as, bouffant caps or shoe covers - each bin is 6.06"W x 10.50"H x 4.75"D (15.4 cm x 25.9 cm x 12.1 cm)
- Bottom left: Holds one box of earloop style face masks up to 10.00"W x 4.88"H x 4.75"D (25.4 cm x 12.4 cm x 12.1 cm)
- Right: Three boxes of standard sized glove boxes, up to 9.75"W x 5.38"H x 4.00"D (12.3 cm x 21.6 cm x 11.4 cm)

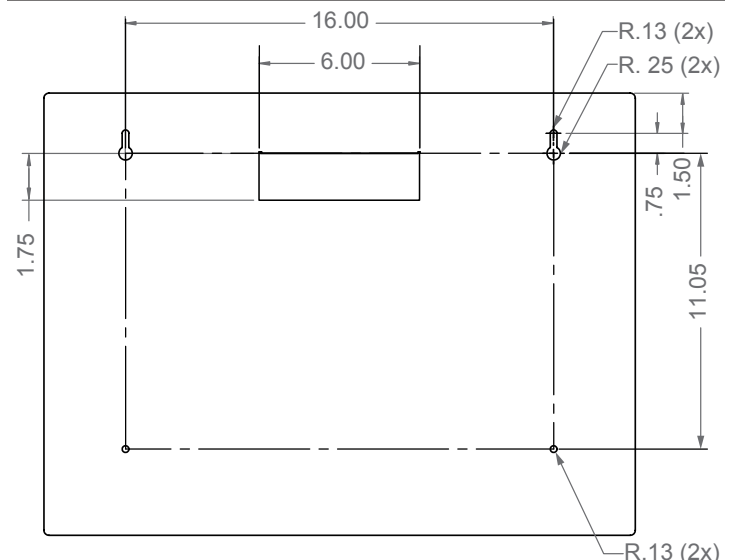
Package Specifications:

- Package Quantity: 1 per case
- 18"L x 6"W x 29"H (45.7 cm x 15.2 cm x 73.7 cm)
- 9.0 lbs (4.1 kg) - approximated

Product Specifications (overall external dimensions):

- 22.10"W x 16.53"H x 4.76"D (56.1 cm x 42.0 cm x 12.1 cm)
- 6.6 lbs (3.0 kg) - approximated

Mounting Specifications:



Related Products (each sold separately):

- PS017-0212, Protection System - Surgical
- PD100-0212, Protection Dispenser - Universal Boxed - Shoe Cover/Cap/Other
- PD200-0212, Protection Dispenser - Universal Boxed - Shoe Cover/Cap/Other - Large
- PD300-0212, Protection Dispenser - Universal Boxed - Shoe Cover/Cap/Other
- BOWMAN® Door and Wall Hangers: MB-450, MB-500, MB-510, and MB-600

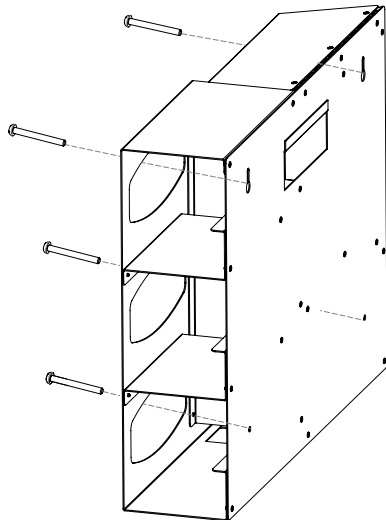




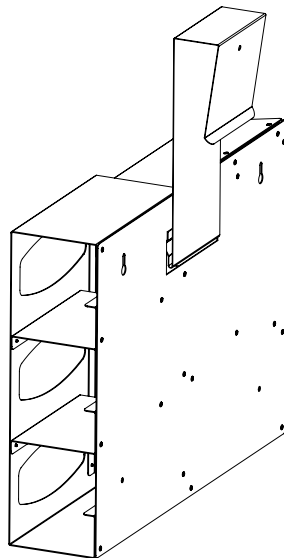
Installation

Always mount dispensers securely *prior* to loading with product.

- Mount securely to a wall with screws approved and supplied by building maintenance.



- Dispenser can be mounted onto a BOWMAN® door or wall hanger through the cutout in the back.



Parts included:

- Dispenser

Tools Required:

- No tools required to assemble dispenser

Care and Construction

Powder-Coated Aluminum

Material Characteristics

Designed for Long-Term Use

Our powder-coated aluminum dispensers resist corrosion, chipping, and flaking. It is lightweight, yet high in strength. This material will provide long-lasting products that hold up well, even in tough environments.

Powder-coated aluminum is ideal for dispensers used in a healthcare or industrial settings. It is impact resistant and is not affected by extremes in temperature.

Powder-coated aluminum is clean, bright, and attractive; it creates a professional appearance.

Care and Cleaning

For best results, clean by washing the surface with a diluted solution of a mild, non-abrasive detergent in cold or warm water and a non-abrasive cloth. Standard hospital cleaning supplies can be used. Dry with a soft cloth. Do not use any solvent-based materials, abrasives (e.g. Scotch-brite, steel wool), or apply excessive force during cleaning.