



Shown  
uninstalled

MADE  
IN THE USA  
PATENT PENDING



### Product Description:

- Semi-Recessed Glove Dispenser - Triple
- Holds three boxes of gloves
- Low profile
- Keyless locking mechanism
- Screw holes in sides to mount to stud framing in wall
- Made of Quartz Beige Powder-Coated Steel

### Primary Area for Product Usage:

- All primary care areas: clinic/exam rooms, radiology, labs, physical therapy, O.R. areas, environmental services

### Dispenses:

- Most brand name standard glove boxes no larger than 11.00"L x 5.50"W x 4.00"H (27.9 cm x 14.0 cm x 10.2 cm)

### Package Specifications:

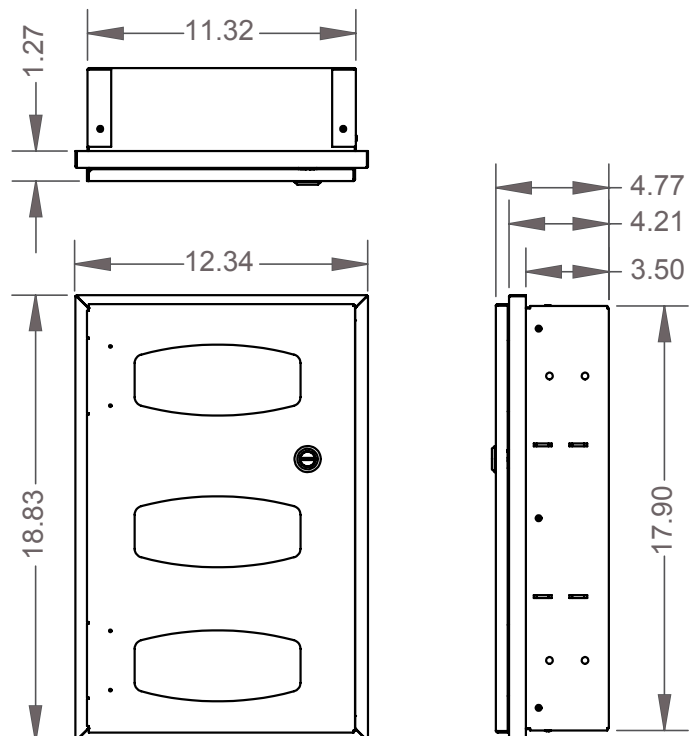
- 24"L x 16"W x 6"H (61.0 cm x 40.6 cm x 15.2 cm)
- 11.0 lbs (5.0 kg) - approximated

### Product Specifications (overall external dimensions):

- 12.34"W x 18.83"H x 4.77"D (31.3 cm x 47.8 cm x 12.1 cm)
- 9.4 lbs (4.2 kg) - approximated

### Mounting Specifications:

- Installation should be performed only by a licensed contractor.





## Advantage

### Designed for Long-Term Use

Dispensers and stands made of powder-coated steel are both attractive and functional, providing years of service.

## Major Benefits

### *Durable*

Our powder-coated steel dispensers and stands provide long-lasting products that hold up well in tough environments.

### *Cleaning*

The powder-coated finish resists common chemicals and cleaning agents and can be easily wiped clean with soap and water. Standard hospital cleaning supplies are approved for use on our powder-coated products.

### *Strength*

Powder-coated steel is ideal for dispensers used in a healthcare or an industrial setting. It is impact resistant and is not effected by extremes in temperature.

### *Appearance*

The clean, bright appearance of quartz beige powder-coated steel looks attractive and provides a professional image in all environments.

