



RHS shown mounted on KS010-0412
Floor Stand and with Sign Holder MP-070
(each sold separately)

Product Description:

- Respiratory Hygiene Station
- Holds two boxes of face masks, one or two boxes of facial tissues, and one hand sanitizer bottle or hand sanitizing wipe canister
- Keyholes for wall mounting, can sit on counter, or mount to a floor stand
- Made of quartz ABS plastic

Primary Area for Product Usage:

- Emergency and admitting departments, all ports of entry, outpatient radiology/MRI, outpatient labs and pharmacies

Dispenses:

Most brand name boxes:

- 2 boxes face masks up to 7.75"W x 4"H x 4.75"D (19.7 cm x 10.2 cm x 12.1 cm)
- 1 large or 2 small boxes of tissue up to 5.5"W x 10"H x 4.75"D (14.0 cm x 25.4 cm x 12.1 cm)
- 1 bottle of antiseptic wipes or hand sanitizing gel up to 4.06"W x 4.06"D (10.5 cm x 10.5 cm)

Accessories (each sold separately):

- Sign holder MP-070 or MP-075
- Floor stand KS201-0029 or KS010-0412

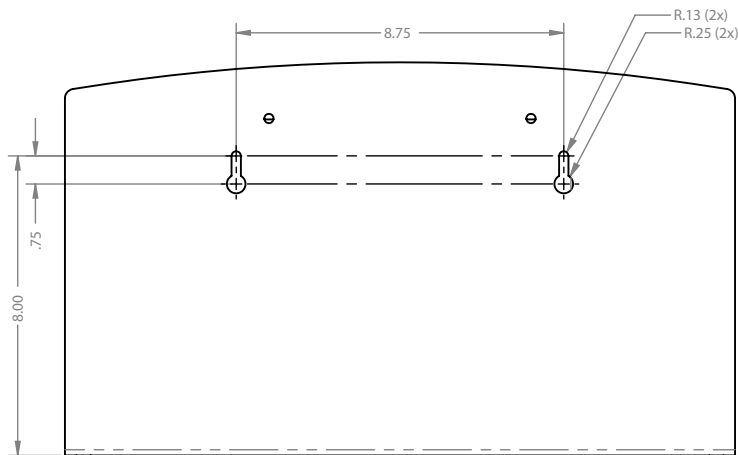
Package Specifications:

- Package Quantity: 3 per case
- 20"L x 16"W x 12"H (50.8 cm x 40.6 cm x 30.5 cm)
- 9.0 lbs (4.1 kg) - approximated

Product Specifications (overall external dimensions):

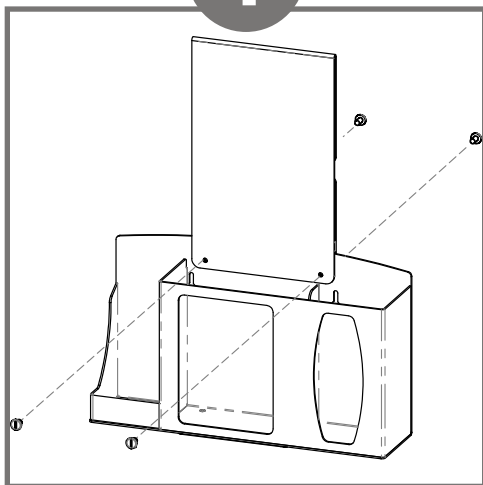
- 17.9"W x 10.5"H x 4.5"D (45.5 cm x 26.7 cm x 11.3 cm)
- 1.95 lbs (0.9 kg) - approximated

Mounting Specifications:

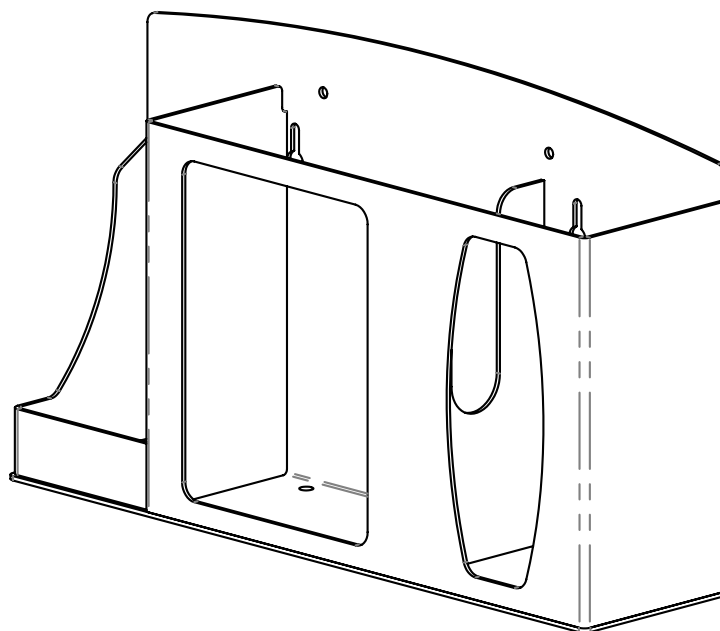




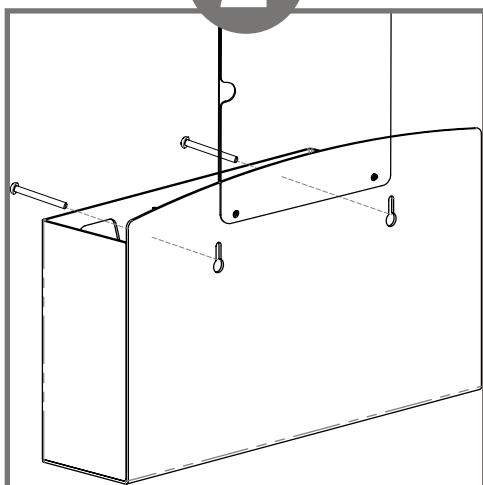
1



To mount Sign Holder, MP-070 or MP-075, wrap the holder over the top edge of the product, lining up holes. Attach using (2x) barrel screws included with sign holder.

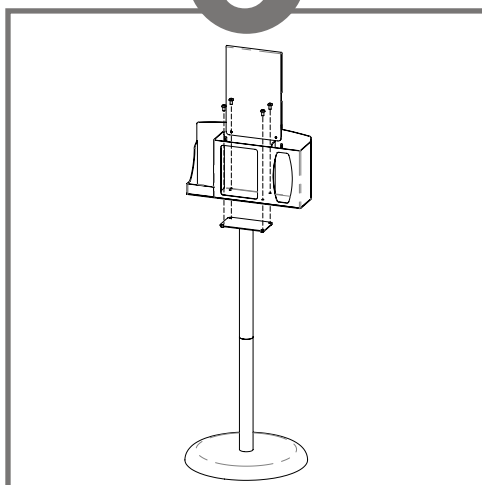


2



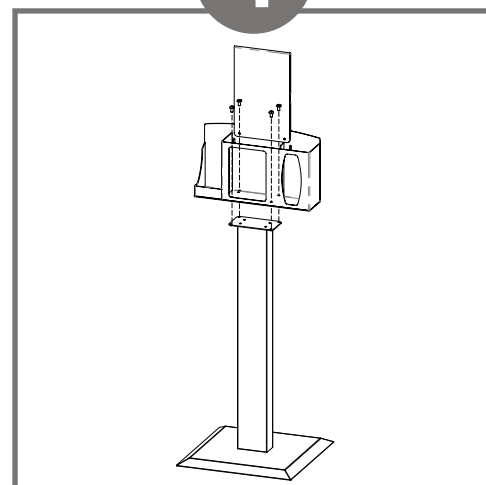
Dispenser can be mounted securely to a wall through keyholes in back with screws approved and supplied by building maintenance.

3



Hygiene station may be mounted to the base plate of the KS201-0029 floor stand using (4x) screws included with the floor stand.

4



Hygiene station may be mounted directly to a KS010-0412 floor stand with (4x) screws included with the floor stand.

Parts included:

- Hygiene Station

Tools required:

- No tools are required to assemble hygiene station



Advantage

Designed for Long-Term Heavy-Duty Applications

The combination of copolymers (Acrylonitrile, Butadiene, and Styrene) gives ABS an excellent combination of strength, rigidity, and toughness.

Major Benefits

Durable

ABS is chemical and stress-crack resistant. It is tough, dimensionally stable, and will hold up to long-term use.

Cleaning

Use mild soap and water to clean. Petroleum-based oils, solvents, and paints should not be used.

Strength

ABS plastic possesses high strength and performance characteristics at a reasonable cost. These qualities make it perfect for a wide variety of applications, including medical and laboratory equipment.

Appearance

The quartz, lightly textured finish has a clean, attractive look.

