



Sanitizer, face masks, and tissues not included



RHS shown mounted on KS010-0412 Floor Stand and with Sign Holder MP-070 (each sold separately)

### Product Description:

- Respiratory Hygiene Station - Aluminum
- Holds two boxes of face masks, one or two boxes of facial tissues or one box of gloves, and one hand sanitizer bottle or hand sanitizing wipe canister
- Keyholes and screw holes for wall mounting, can sit on counter, or mount to a floor stand
- Made of quartz powder-coated aluminum

### Primary Area for Product Usage:

- Emergency and admitting departments, all ports of entry, outpatient radiology/MRI, outpatient labs and pharmacies

### Dispenses:

Most brand name boxes:

- 2 boxes face masks up to 7.75"W x 4.00"H x 4.75"D (19.7 cm x 10.2 cm x 12.1 cm)
- 1 large or 2 small boxes of tissues or 1 box of gloves up to 5.50"W x 10.00"H x 4.75"D (14.0 cm x 25.4 cm x 12.1 cm)
- 1 bottle of hand sanitizing gel or wipe canister up to 4.25"W x 4.00"D or 4.00" diameter (10.8 cm x 10.2 cm)

### Accessories (each sold separately):

- Sign holder MP-070 or MP-075
- Floor stand KS010-0412 or KS201-0029

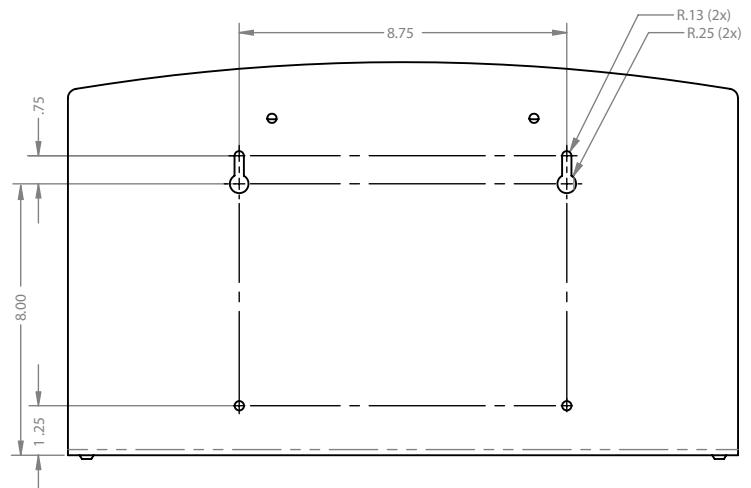
### Package Specifications:

- Package Quantity: 3 per case
- 20"L x 16"W x 12"H (50.8 cm x 40.6 cm x 30.5 cm)
- 14.0 lbs (6.4 kg) - approximated

### Product Specifications (overall external dimensions):

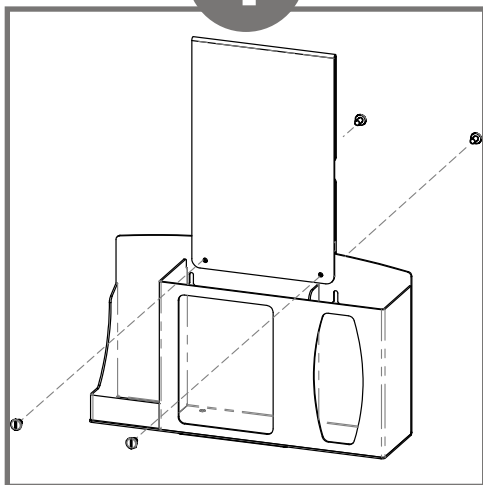
- 17.90"W x 11.75"H x 5.15"D (45.5 cm x 29.8 cm x 13.1 cm)
- 3.40 lbs (1.5 kg) - approximated

### Mounting Specifications:

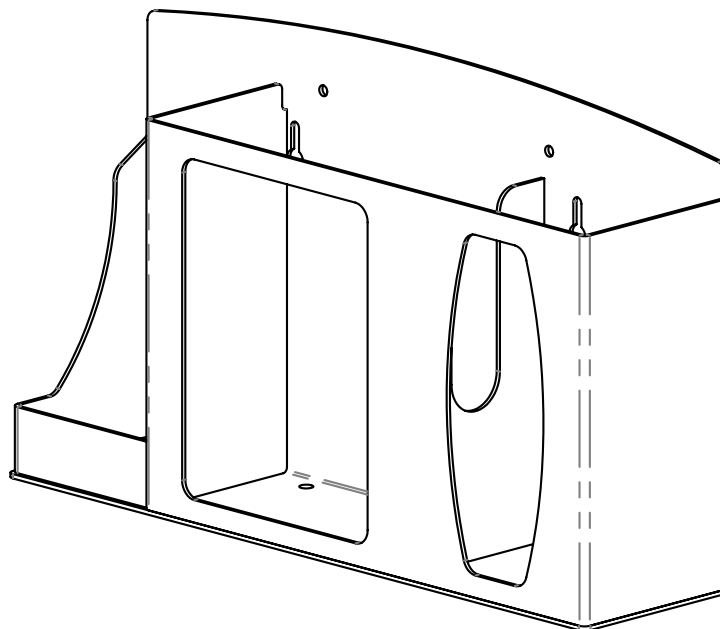




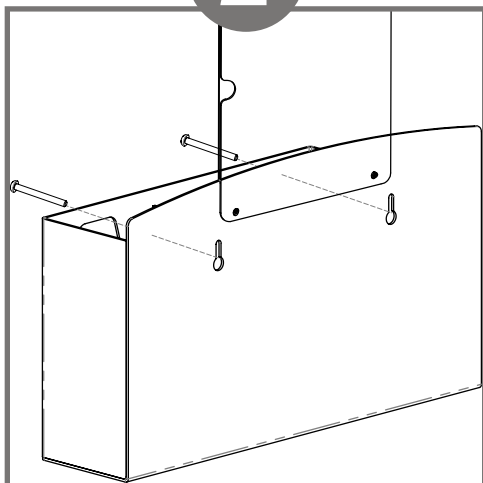
# 1



To mount Sign Holder, MP-070 or MP-075, wrap the holder over the top edge of the product, lining up holes. Attach using barrel screws (2x) included with sign holder.

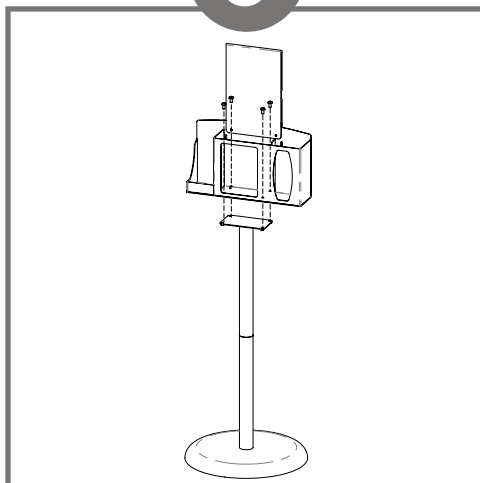


# 2



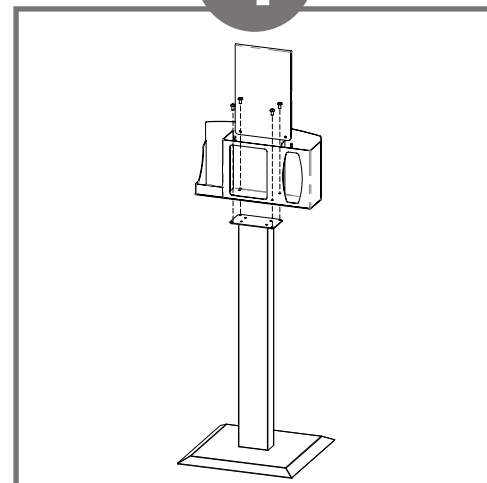
Dispenser can be mounted securely to a wall through keyholes in back with screws approved and supplied by building maintenance.

# 3



Hygiene station may be mounted to the base plate of the KS201-0029 floor stand using (4x) screws included with the floor stand.

# 4



Hygiene station may be mounted directly to a KS010-0412 floor stand with (4x) screws included with the floor stand.

### Parts included:

- Hygiene Station

### Tools required:

- No tools are required to assemble hygiene station



## Advantage

### Designed for Long-Term Use

Our aluminum dispensers and stands are coated with polyester triglycidyl isocyanurate (TGIC) powders, making them highly corrosion resistant. They are lightweight, attractive, functional and provide years of service.

## Major Benefits

### *Durable*

Our powder coated aluminum dispensers resist corrosion, chipping, and flaking. This material will provide long-lasting products that hold up well, even in tough environments.

### *Cleaning*

The semi-gloss powder coated finish resists mild chemicals and cleaning agents, such as Windex or glass cleaners. It should be cleaned with a damp cloth or mild soap and water. Scotch-Brite, steel wool or any abrasive products should not be used.

### *Strength*

Powder coated aluminum is ideal for dispensers used in a healthcare or industrial settings. It is impact resistant and is not affected by extremes in temperature.

### *Appearance*

The clean, bright appearance of powder coated aluminum looks attractive and provides a professional image in all environments.

