



RHS shown with Sign Holder, MP-070 (sold separately)



Product Description:

- Respiratory Hygiene Station - Locking
- Holds two boxes of face masks and one to two boxes of facial tissues
- Hinged, locking lid
- Holes in bottom for mounting to floor stand or keyholes in back for wall mounting
- Made of Quartz Beige ABS Plastic

Primary Area for Product Usage:

- Emergency and admitting departments, all ports of entry to medical facilities, outpatient radiology/MRI, outpatient labs and pharmacies

Dispenses:

Most brand name boxes:

- Two boxes of face masks up to 7.75"W x 4.00"H x 4.75"D (19.7 cm x 10.2 cm x 12.1 cm)
- One large or two small boxes of tissue up to 5.50"W x 10.00"H x 4.75"D (14.0 cm x 25.4 cm x 12.1 cm)

Accessories (each sold separately):

- Sign holder MP-070 or MP-075
- Floor stand KS010-0412 or KS201-0029

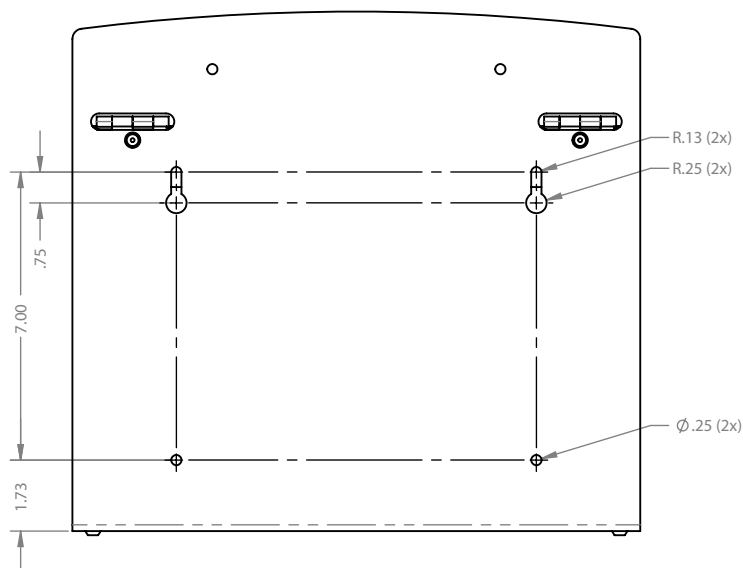
Package Specifications:

- Package Quantity: 1 per case
- 21"L x 14"W x 10"H (53.3 cm x 35.6 cm x 25.4 cm)
- 5.0 lbs (2.3 kg) - approximated

Product Specifications (overall external dimensions):

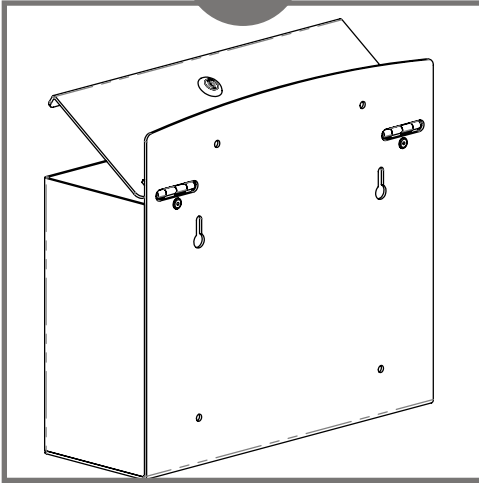
- 13.80"W x 12.65"H x 5.30"D (35.1 cm x 32.1 cm x 13.5 cm)
- 2.0 lbs (0.9 kg) - approximated

Mounting Specifications:

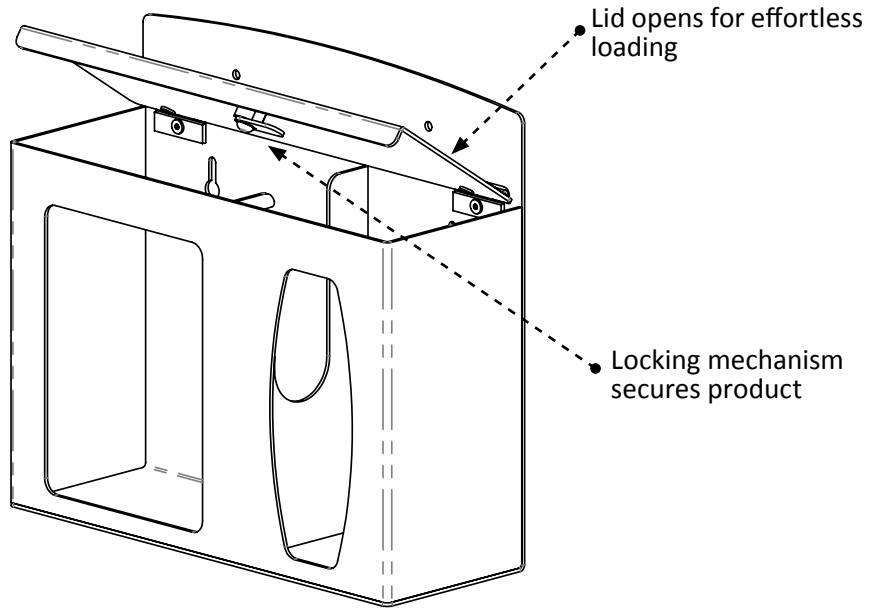




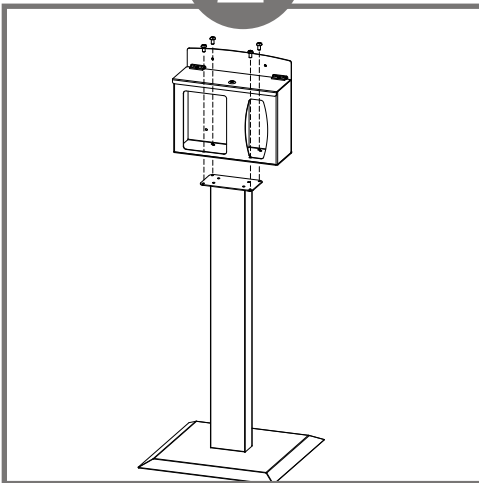
1



Dispenser may be mounted securely to a wall through (2x) keyholes and (2x) screwholes in back with screws approved and supplied by building maintenance.

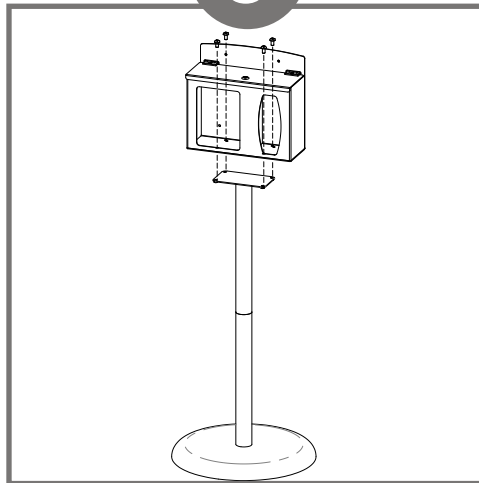


2



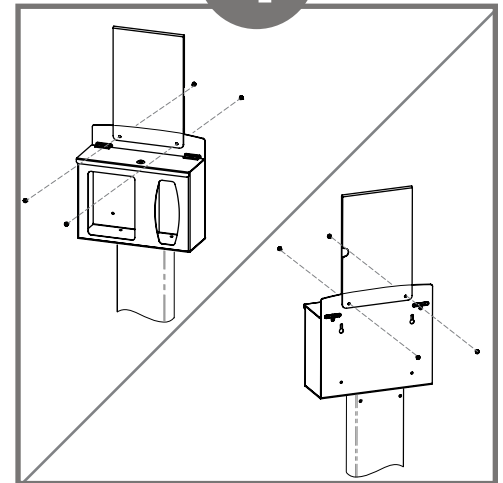
Hygiene station may be mounted directly to a KS010-0412 floor stand with (4x) screws included with the floor stand.

3



Hygiene station may be mounted to the base plate of the KS201-0029 floor stand using (4x) screws included with the floor stand.

4



Optional sign holders (sold separately) mount to hygiene station with barrel screws included with sign holder.

Parts included:

- Hygiene Station
- (2x) keys matching locking mechanism

Tools required:

- No tools are required to assemble hygiene station



Advantage

Designed for Long-Term Heavy-Duty Applications

The combination of copolymers (Acrylonitrile, Butadiene, and Styrene) gives ABS an excellent combination of strength, rigidity, and toughness.

Major Benefits

Durable

ABS is chemical and stress-crack resistant. It is tough, dimensionally stable, and will hold up to long-term use.

Cleaning

Use mild soap and water to clean. Petroleum-based oils, solvents, and paints should not be used. Standard hospital cleaning supplies are approved for use on our ABS plastic products.

Strength

ABS plastic possesses high strength and performance characteristics at a reasonable cost. These qualities make it perfect for a wide variety of applications, including medical and laboratory equipment.

Appearance

The lightly textured finish of ABS plastic has a clean, attractive look.

